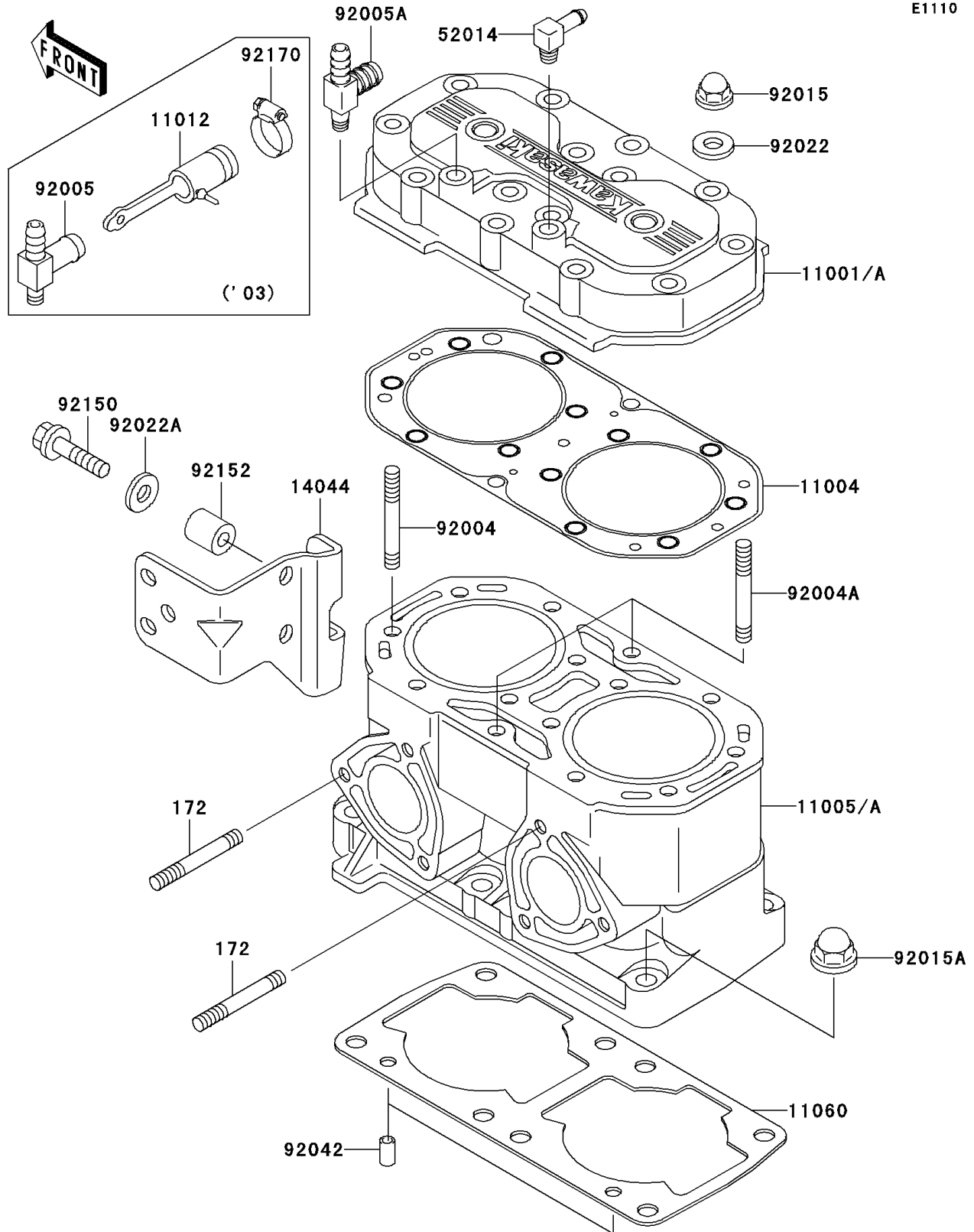


2003 800 SX-R PARTS DIAGRAM

Cylinder Head/Cylinder

E1110



2003 800 SX-R PARTS LIST

Cylinder Head/Cylinder

ITEM NAME	PART NUMBER	QUANTITY
BOLT-STUD (Ref # 172)	172R0830	1
HEAD-CYLINDER (Ref # 11001)	11001-3743	1
GASKET-HEAD (Ref # 11004)	11004-3720	1
CYLINDER-ENGINE (Ref # 11005)	11005-3755	1
CAP (Ref # 11012)	11012-3757	1
GASKET,CYLINDER BASE (Ref # 11060)	11060-3711	1
HOLDER-CABLE (Ref # 14044)	14044-3728	1
ELBOW (Ref # 52014)	52014-3721	1
STUD,8X43 (Ref # 92004)	92004-3715	1
STUD,8X43 (Ref # 92004A)	92004-3719	1
FITTING (Ref # 92005)	92005-3711	1
NUT,CAP,8MM (Ref # 92015)	92015-1371	1
NUT,10MM (Ref # 92015A)	92015-1649	1
WASHER,8.2X18X1.5 (Ref # 92022)	92022-1964	1
WASHER,8.2X18X1.5 (Ref # 92022A)	92022-3743	1
PIN,DOWEL,6.3X8X14 (Ref # 92042)	92042-007	1
BOLT,8X35 (Ref # 92150)	92150-3833	1
COLLAR (Ref # 92152)	92152-3736	1
CLAMP (Ref # 92170)	92170-3729	1