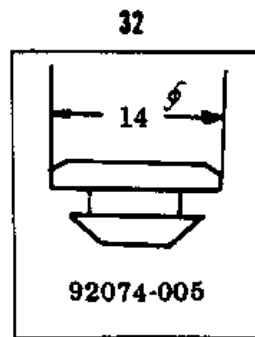
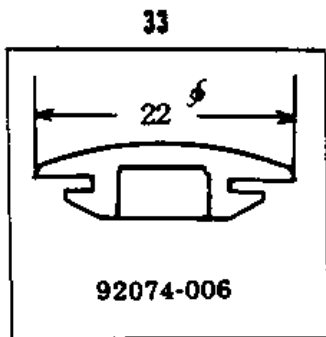
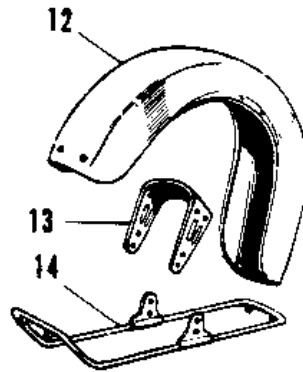
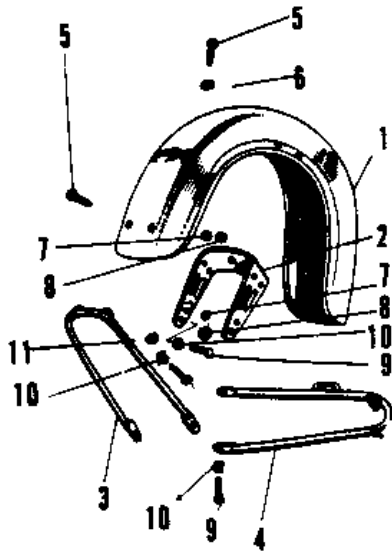
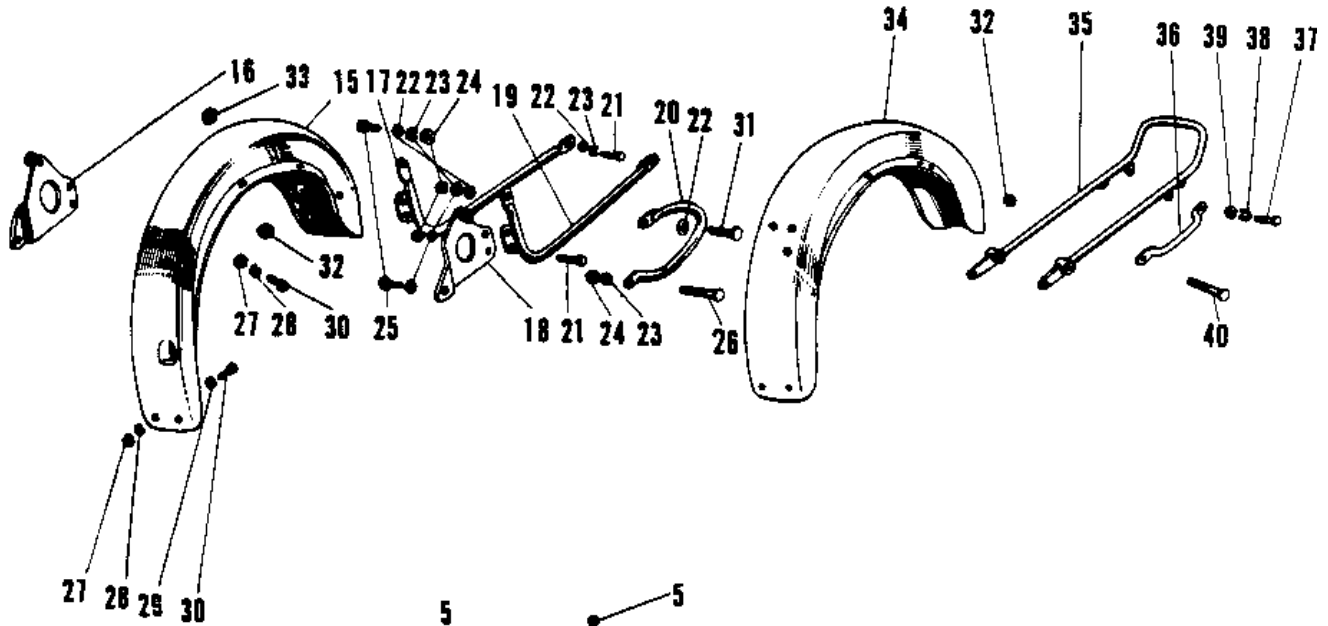


1968 Commander PARTS DIAGRAM

FENDERS



1968 Commander PARTS LIST

FENDERS

ITEM NAME	PART NUMBER	QUANTITY
FENDER FRONT (Ref # 1)	35001-008	1
BRACE FRONT FENDER (Ref # 2)	35009-007	1
STAY FRONT FENDER UPP (Ref # 3)	35010-017	1
STAY FRONT FENDER LOW (Ref # 4)	35010-018	1
SCREW PAN HEAD 6X10 (Ref # 5)	220E0610	9
WASHER PLAIN 6MM (Ref # 6)	411B0600	5
WASHER SPRING 6MM (Ref # 7)	461F0600	9
NUT 6MM (Ref # 8)	312B0600	9
BOLT-SMALL-UPSET,8X14 (Ref # 9)	115B0814	8
WASHER SPRING 8MM (Ref # 10)	461F0800	8
WASHER PLAIN 8MM (Ref # 11)	411B0800	2
FENDER REAR (Ref # 15)	35022-030	1
UNAVAILABLE IN PRICE BOOK (Ref # 16)	35033-004	1
STAY R.H REAR FENDER (Ref # 17)	35032-006	1
UNAVAILABLE IN PRICE BOOK (Ref # 18)	35033-003	1
STAY L.H REAR FENDER (Ref # 19)	35032-007	1
UNAVAILABLE IN PRICE BOOK (Ref # 20)	32109-005	1
BOLT-SMALL-UPSET,8X16 (Ref # 21)	115G0816	7
WASHER PLAIN 8MM (Ref # 22)	410B0800	5
WASHER SPRING 8MM (Ref # 23)	461F0800	11
NUT,8MM (Ref # 24)	311B0800	7
BOLT-SMALL-UPSET,8X14 (Ref # 25)	115B0814	2
BOLT HEX HEAD 8X50 (Ref # 26)	114G0850	1
NUT 6MM (Ref # 27)	311B0600	4
WASHER SPRING 6MM (Ref # 28)	461F0600	4
WASHER PLAIN 6MM (Ref # 29)	411B0600	2
BOLT-UPSET 6X14 (Ref # 30)	112B0614	4
BOLT-SMALL-UPSET,8X22 (Ref # 31)	115B0822	1
PLUG RUBBER (Ref # 32)	92074-005	3