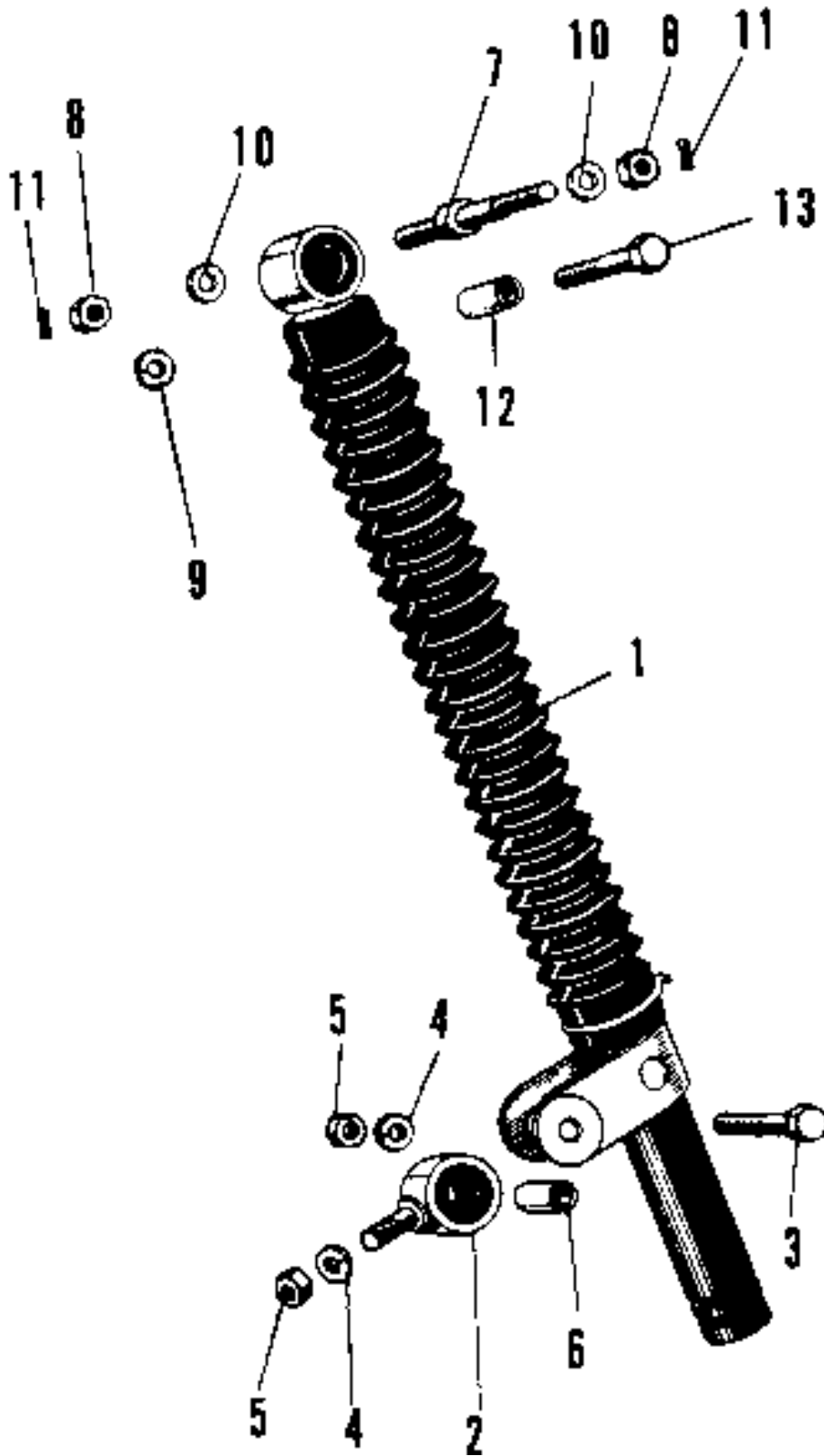


1969 Commander PARTS DIAGRAM

STEERING DAMPER



1969 Commander PARTS LIST

STEERING DAMPER

ITEM NAME	PART NUMBER	QUANTITY
DAMPER STEERING OIL (Ref # 1~6)	46117-002	1
UNAVAILABLE IN PRICE BOOK (Ref # 2)	46119-001	1
AXLE OIL DAMPER PIVOT (Ref # 3)	46120-002	1
WASHER SPRING 8MM (Ref # 4)	461F0800	2
NUT,8MM (Ref # 5)	311B0800	1
COLLAR PIVOT AXLE (Ref # 6)	46121-001	1
BOLT OIL DAMPER FRONT (Ref # 7)	46119-004	1
NUT CASTLE (Ref # 8)	321B0800	1
WASHER PLAIN 8MM (Ref # 10)	411B0800	1
PIN COTTER 2.0X20 (Ref # 11)	550D2020	1
COLLAR (Ref # 12)	92027-092	1
BOLT OIL DAMPER FRONT (Ref # 13)	46119-003	1