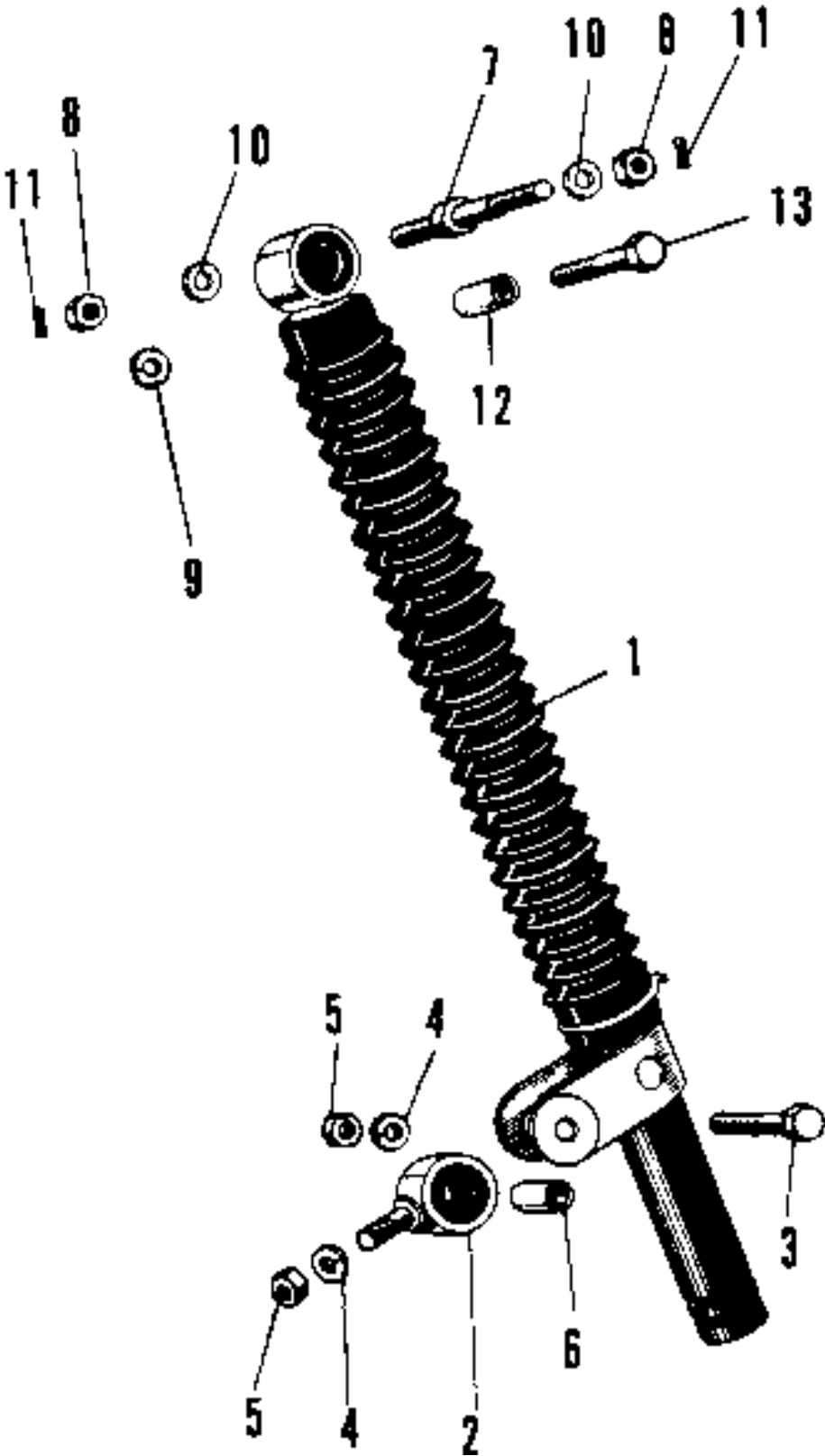


1968 W1SS PARTS DIAGRAM

STEERING DAMPER



1968 W1SS PARTS LIST

STEERING DAMPER

| ITEM NAME | PART NUMBER | QUANTITY |
|-------------------------------------|-------------|----------|
| DAMPER STEERING OIL (Ref # 1~6) | 46117-002 | 1 |
| UNAVAILABLE IN PRICE BOOK (Ref # 2) | 46119-001 | 1 |
| AXLE OIL DAMPER PIVOT (Ref # 3) | 46120-002 | 1 |
| WASHER SPRING 8MM (Ref # 4) | 461F0800 | 2 |
| NUT,8MM (Ref # 5) | 311B0800 | 1 |
| COLLAR PIVOT AXLE (Ref # 6) | 46121-001 | 1 |
| BOLT OIL DAMPER FRONT (Ref # 7) | 46119-004 | 1 |
| NUT CASTLE (Ref # 8) | 321B0800 | 1 |
| WASHER PLAIN 8MM (Ref # 10) | 411B0800 | 1 |
| PIN COTTER 2.0X20 (Ref # 11) | 550D2020 | 1 |
| COLLAR (Ref # 12) | 92027-092 | 1 |
| BOLT OIL DAMPER FRONT (Ref # 13) | 46119-003 | 1 |