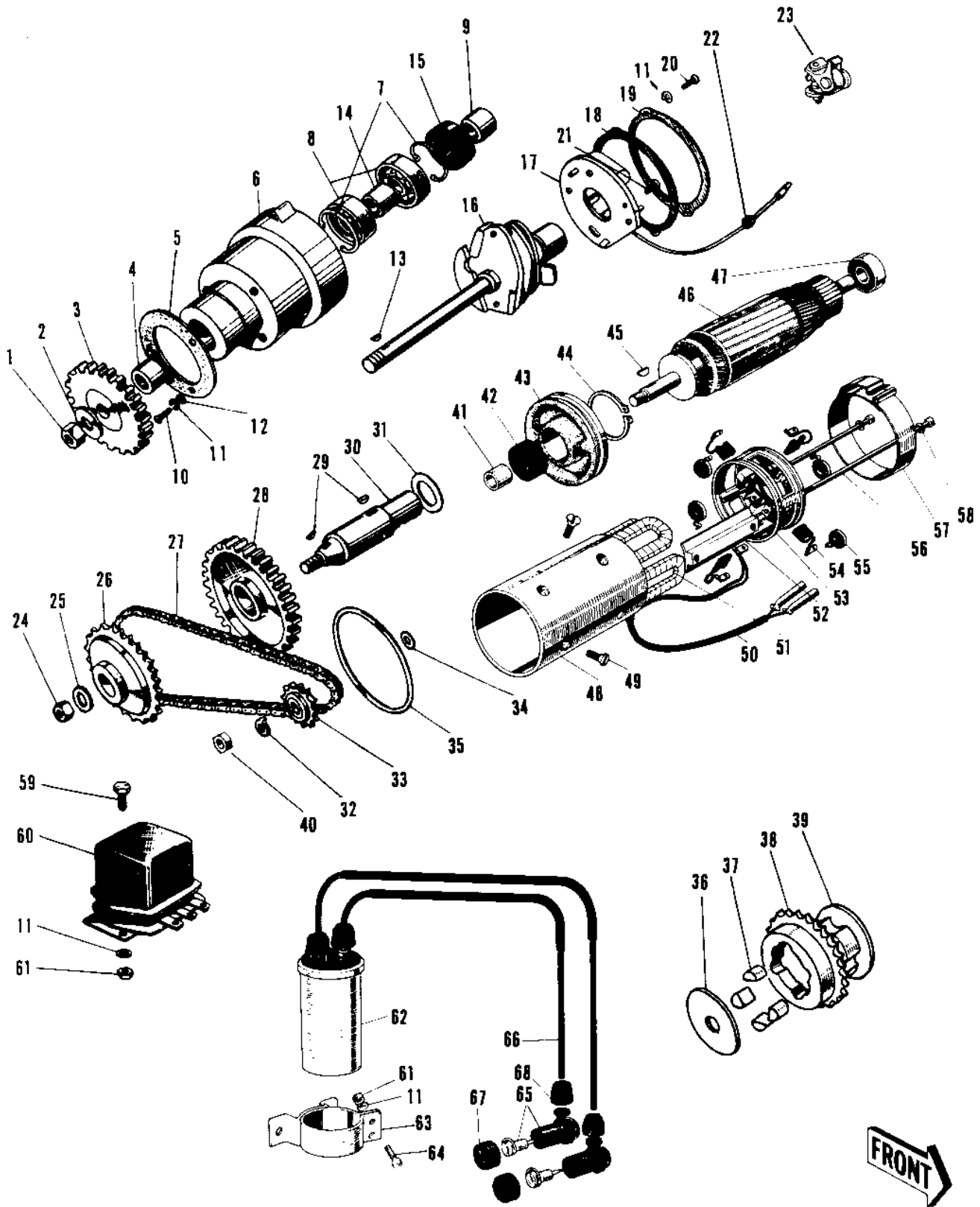


1968 Commander PARTS DIAGRAM

IGNITION/GENERATOR/REGULATOR



1968 Commander PARTS LIST

IGNITION/GENERATOR/REGULATOR

ITEM NAME	PART NUMBER	QUANTITY
NUT BREAKER GEAR (Ref # 1)	92017-001	1
10MM TONGUED LOCK WASHER (Ref # 2)	420B1070	1
GEAR CONTACT BREAKER (Ref # 3)	21145-002	(1
GEAR CONTACT BREAKER (Ref # 3)	21145-002	1
COLLAR BREAKER C (Ref # 4)	92027-076	1
GASKET BREAKER CASE (Ref # 5)	21138-001	1
CASE CONTACT BREAKER (Ref # 6)	21136-001	1
CIRCLIP 30MM (Ref # 7)	481J3000	2
BEARING BALL #6200 (Ref # 8)	601B6200	2
BEARING BALL #6200ZZ (Ref # 8)	92045-011	2
COLLAR BREAKER A (Ref # 9)	92027-074	1
SCREW PAN HEAD 6X22 (Ref # 10)	220B0622	3
WASHER SPRING 6MM (Ref # 11)	461F0600	9
WASHER PLAIN 6MM (Ref # 12)	410B0600	3
WOODRUFF KEY GOV SHT (Ref # 13)	92038-011	1
COLLAR BREAKER (Ref # 14)	92027-075	1
OIL SEAL,SB18307 (Ref # 15)	92049-013	1
GOVERNOR (Ref # 16)	21148-001	1
BREAKER CONTACT (Ref # 17)	21134-002	1
GASKET BRK CASE COVER (Ref # 18)	21139-001	1
COVER CONTACT BRK CAS (Ref # 19)	21137-001	1
SCREW PAN HEAD 6X12 (Ref # 20)	220B0612	2
SCREW PAN HEAD 5X8 (Ref # 21)	220B0508	2
SCREW PAN HEAD 5X8 (Ref # 21)	220B0508	2
GROMMET BREAKER CORD (Ref # 22)	92071-034	1
NUT 12MM (Ref # 24)	313G1200	1
NUT,12MM (Ref # 24)	314G1200A	1
WASHER PLAIN 12MM (Ref # 25)	410B1200	1
SPROCKET IDLE SHAFT (Ref # 26)	21054-002	1

1968 Commander PARTS LIST

IGNITION/GENERATOR/REGULATOR

ITEM NAME	PART NUMBER	QUANTITY
CHAIN DYNAMO DRIVE (Ref # 27)	21070-002	(1
CHAIN DYNAMO DRIVE (Ref # 27)	21070-002	1
GEAR ASSY IDLE (Ref # 28~30)	12058-001	1
WOODRUFF KEY IDLE GR (Ref # 29)	92038-010	2
SHIM IDLE SHAFT 2.2MM (Ref # 31)	92025-022	AR
UNAVAILABLE IN PRICE BOOK (Ref # 31)	92025-023	AR
UNAVAILABLE IN PRICE BOOK (Ref # 31)	92025-024	AR
SHIM IDLE SHAFT 2.6MM (Ref # 31)	92025-025	AR
UNAVAILABLE IN PRICE BOOK (Ref # 31)	92025-026	AR
UNAVAILABLE IN PRICE BOOK (Ref # 31)	92025-027	AR
UNAVAILABLE IN PRICE BOOK (Ref # 31)	92025-028	AR
WASHER LOCK (Ref # 32)	92030-003	1
SPROCKET DYNAMO (Ref # 33)	21068-001	1
UNAVAILABLE IN PRICE BOOK (Ref # 34)	21071-001	AR
SHIM SPROCKET 1.0MM (Ref # 34)	21071-002	AR
SHIM SPROCKET 1.5MM (Ref # 34)	21071-003	AR
SHIM SPROCKET 2.0MM (Ref # 34)	21071-004	AR
UNAVAILABLE IN PRICE BOOK (Ref # 34)	21071-005	AR
UNAVAILABLE IN PRICE BOOK (Ref # 34)	21071-006	AR
SHIM SPROCKET 3.5 MM (Ref # 34)	21071-007	AR
"0" RING,75MM (Ref # 35)	671B2575	1
PLATE DAMP RUBB HOLD (Ref # 36)	21057-001	1
RUBBER SPROCKET DAMP (Ref # 37)	21064-001	4
SPROCKET IDLE SHAFT (Ref # 38)	21054-003	1
BODY IDLE SHAFT SPCKT (Ref # 39)	21055-004	1
DYNAMO DF11 (Ref # 40~57)	21001-021	(1
DYNAMO DF11 (Ref # 40~57)	21001-021	1
NUT 12MM (Ref # 40)	313G1200	1
NUT,12MM (Ref # 40)	314G1200A	1

1968 Commander PARTS LIST

IGNITION/GENERATOR/REGULATOR

ITEM NAME	PART NUMBER	QUANTITY
NUT,12MM (Ref # 40)	314G1200A	1
UNAVAILABLE IN PRICE BOOK (Ref # 41~44)	21004-005	1
WOODRUFF KEY DYNAMO (Ref # 45)	21067-001	1
ROTOR (Ref # 46)	21007-008	(1
ROTOR ASSY (Ref # 46)	21007-009	1
DYNAMO DF11 (Ref # 48~52)	21001-021	1
COVER ASSY OYNAMO A (Ref # 53~55)	21005-005	1
CARBON BRUSH (Ref # 54)	21039-002	4
SPRING CARBON BRUSH (Ref # 55)	21040-002	4
BOLT DYNAMO COVER (Ref # 56)	21035-003	2
BAND COMMUTATOR (Ref # 57)	21036-001	1
BOLT-UPSET,6X16 (Ref # 59)	112G0616	2
REGULATOR VOLTAGE (Ref # 60)	21066-004	1
REGULATOR VOLTAGE (Ref # 60)	21066-009	1
NUT 6MM (Ref # 61)	311B0600	4
COIL IGNITION (Ref # 62)	21121-025	1
CLAMP IGNITION COIL (Ref # 63)	21122-002	1
BOLT-UPSET 6X14 (Ref # 64)	112B0614	2
CAP-SPARK PLUG (Ref # 65)	21130-016	(2
CAP-SPARK PLUG (Ref # 65)	21130-016	2
CORD HIGH TENSION (Ref # 66)	21133-009	2
GROMMET PLUG CAP A (Ref # 67)	21131-002	(2
GROMMET-PLUG CAP,A (Ref # 67)	21131-004	2
GROMMET (Ref # 68)	92071-517	(2
GROMMET,SPARK PLG CAP (Ref # 68)	21132-005	2