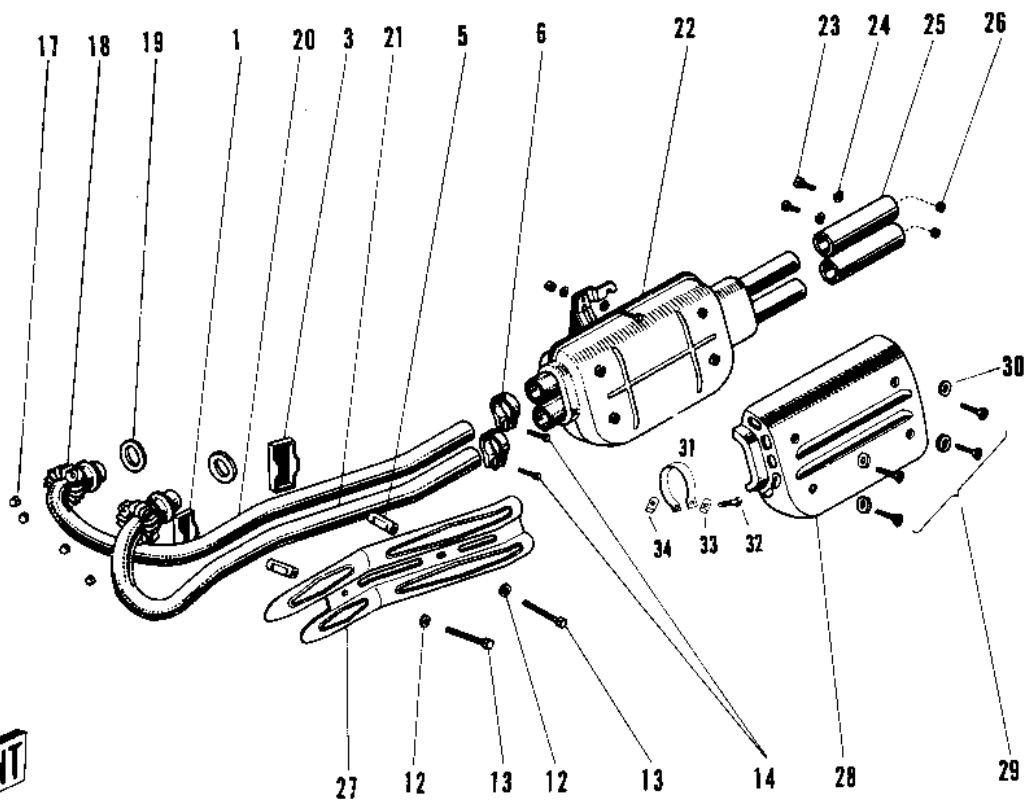
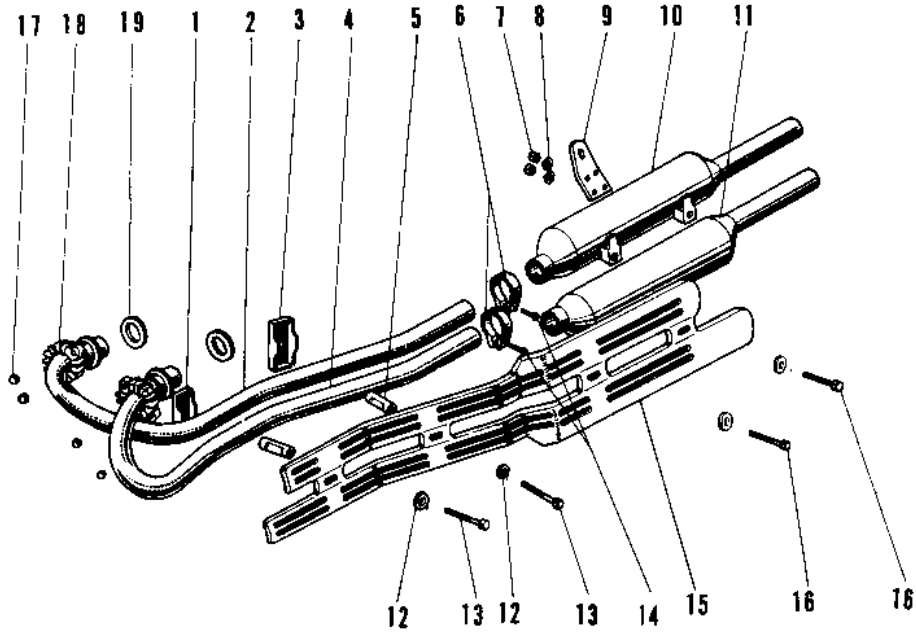


1966 W1 PARTS DIAGRAM

MUFFLERS (W2TT)



FRONT ←

1966 W1 PARTS LIST

MUFFLERS (W2TT)

ITEM NAME	PART NUMBER	QUANTITY
HOLDER EXH PIPE FRONT (Ref # 1)	18053-001	1
PIPE EXHAUST R.H (Ref # 2)	18049-061	1
HOLDER EXH PIPE REAR (Ref # 3)	18052-001	1
UNAVAILABLE IN PRICE BOOK (Ref # 4)	18049-060	1
COLLAR (Ref # 5)	92026-052	2
CLAMP (Ref # 6)	92037-030	2
NUT,8MM (Ref # 7)	311B0800	4
WASHER SPRING 8MM (Ref # 8)	461F0800	4
BRACKET (Ref # 9)	18061-030	1
MUFFLER ASSY R.H (Ref # 10)	18014-008	1
MUFFLER ASSY L.H (Ref # 11)	18013-007	1
WASHER PLAIN 8MM (Ref # 12)	410B0800	4
BOLT HEX HEAD 8X63 (Ref # 13)	110N0863	2
SCREW FLT FIL HD 6X25 (Ref # 14)	210E0625	(2
SCREW PAN HEAD 6X25 (Ref # 14)	220B0625	2
COVER,MUFFLER (Ref # 15)	18057-020	1
BOLT HEX HEAD 8X14 (Ref # 16)	110N0814	2
UNAVAILABLE IN PRICE BOOK (Ref # 17)	92015-012	4
UNAVAILABLE IN PRICE BOOK (Ref # 18)	1806-019	2
GASKET,EXHAUST PIPE H (Ref # 19)	11009-1840	2
PIPE EXHAUST R.H (Ref # 20)	18049-042	1
PIPE EXHAUST L.H (Ref # 21)	18049-043	1
MUFFLER ASSY (Ref # 22~26)	18002-035	1
BOLT HEX HEAD 6X8 (Ref # 23)	110B0608	2
WASHER SPRING 6MM (Ref # 24)	461F0600	2
TAIL PIECE (Ref # 25)	18048-007	2
NUT 6MM (Ref # 26)	311B0600	2
COVER EXHAUST PIPE (Ref # 27)	18057-031	1
UNAVAILABLE IN PRICE BOOK (Ref # 28)	18057-015	1

1966 W1 PARTS LIST

MUFFLERS (W2TT)

ITEM NAME	PART NUMBER	QUANTITY
SCREW PAN HEAD 6X8 (Ref # 29)	220E0608	4
WASHER PLAIN 6MM (Ref # 30)	411B0600	4
CLAMP (Ref # 31)	92037-038	2
BOLT-SMALL-UPSET (Ref # 32)	115B0832	2
BAND END B (Ref # 33)	21056-003	2
BAND END A (Ref # 34)	21056-002	2