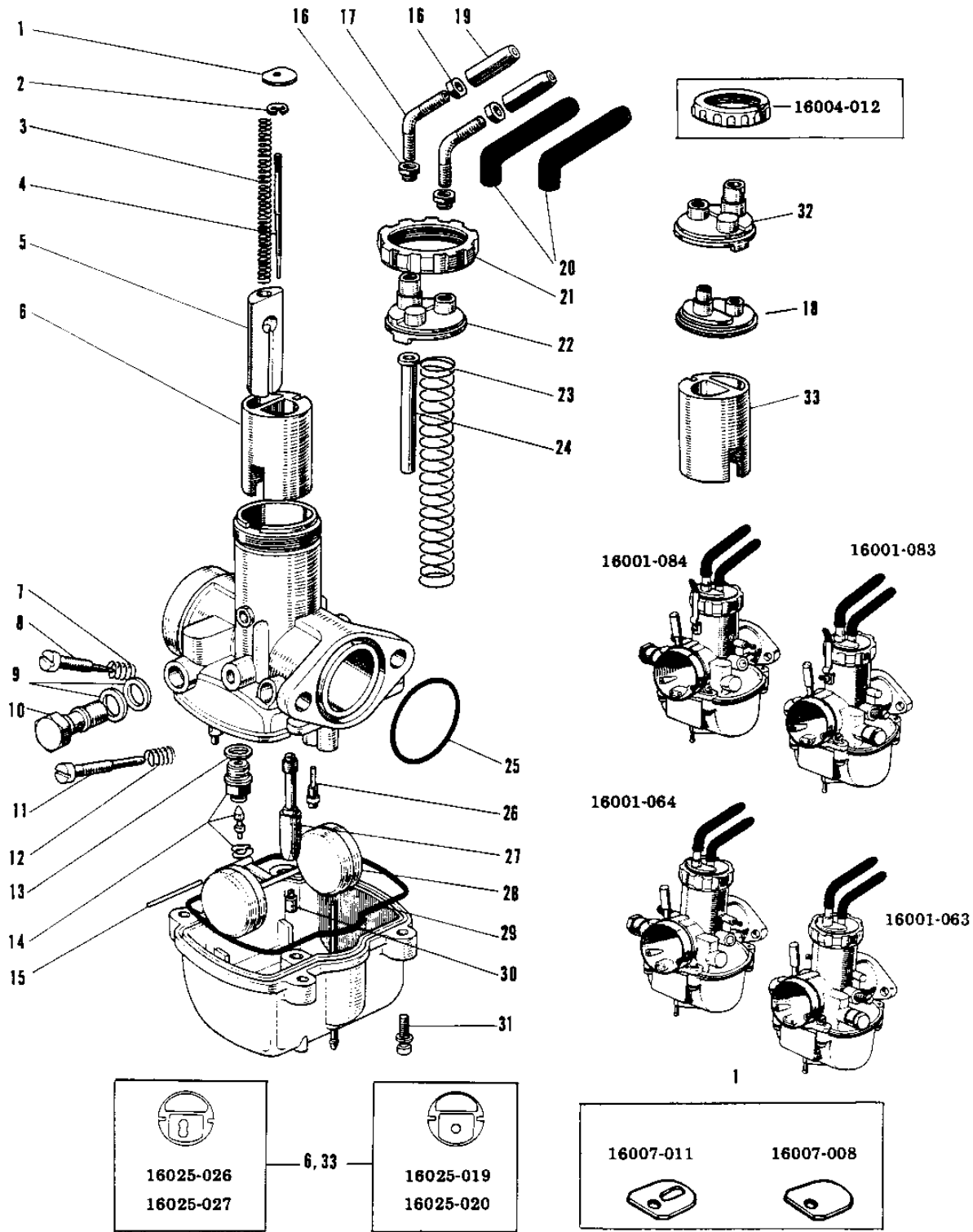


1969 Commander PARTS DIAGRAM

CARBURETORS (W2SS/W2TT)



FRONT →

1969 Commander PARTS LIST

CARBURETORS (W2SS/W2TT)

| ITEM NAME | PART NUMBER | QUANTITY |
|-----------------------------------|-------------|----------|
| CARBURETOR ASSY. R.H (Ref # 1~33) | 16001-167 | 1 |
| CARBURETOR ASSY. R.H (Ref # 1~33) | 16001-167 | 1 |
| CARBURETOR ASSY,L.H (Ref # 1~33) | 16001-168 | 1 |
| CARBURETOR ASSY,L.H (Ref # 1~33) | 16001-168 | 1 |
| SPRING SEAT THRTL VLV (Ref # 1) | 16007-011 | (2 |
| SPRING SEAT THRTL VLV (Ref # 1) | 16007-011 | 2 |
| CIRCLIP (Ref # 2) | 16008-010 | 2 |
| SPRING AIR SHUTTER (Ref # 3) | 16040-003 | 2 |
| JET NEEDLE 5L1 (Ref # 4) | 16009-017 | 2 |
| SHUTTER AIR (Ref # 5) | 16041-003 | 2 |
| VALVE THROTTLE R.H (Ref # 6) | 16025-027 | (1 |
| VALVE THROTTLE R.H (Ref # 6) | 16025-027 | 1 |
| SPRING THR STOP SCREW (Ref # 7) | 16022-005 | 2 |
| SCREW THROTTLE STOP (Ref # 8) | 16021-007 | 2 |
| GASKET,10,2X15X1.5T (Ref # 9) | 11009-1146 | 4 |
| BOLT BANJO (Ref # 10) | 92060-006 | 2 |
| BOLT BANJO (Ref # 10) | 92060-011 | 2 |
| SCREW PILOT AIR ADJST (Ref # 11) | 16014-007 | 2 |
| SPRING,THROTTLE ADJST (Ref # 12) | 16022-010 | 2 |
| WASHER FLOAT VLV SEAT (Ref # 13) | 16029-005 | 2 |
| FLOAT VALVE ASSY (Ref # 14) | 16030-006 | 2 |
| FLOAT PIN (Ref # 15) | 16032-003 | 2 |
| NUT CABLE ADJUST LOCK (Ref # 16) | 16003-004 | 8 |
| CABLE GUIDE (Ref # 17) | 16077-001 | 4 |
| TOP MIXING CHAMBER (Ref # 18) | 16005-019 | 2 |
| CABLE ADJUSTER (Ref # 19) | 16002-004 | 4 |
| CAP RUBBER (Ref # 20) | 16037-003 | 4 |
| CAP MIXING CHAMBER (Ref # 21) | 16004-007 | 2 |
| CAP MIXING CHAMBER (Ref # 21) | 16004-012 | 2 |

1969 Commander PARTS LIST

CARBURETORS (W2SS/W2TT)

| ITEM NAME | PART NUMBER | QUANTITY |
|--------------------------------------|-------------|----------|
| UNAVAILABLE IN PRICE BOOK (Ref # 22) | 16005-014 | (1) |
| TOP MIXING CHAMBER RH (Ref # 22) | 16005-017 | 1 |
| SPRING THROTTLE VALVE (Ref # 23) | 16006-011 | 2 |
| GUIDE AIR SHUTTER (Ref # 24) | 16045-002 | 2 |
| "O" RING,MANIFOLD (Ref # 25) | 16038-006 | 2 |
| PILOT JET NO.25 (Ref # 26) | 92064-030 | (2) |
| PILOT JET #30 (Ref # 26) | 92064-029 | 2 |
| NEEDLE JET O-6 (Ref # 27) | 16017-023 | (2) |
| NEEDLE JET O-6 (Ref # 27) | 16017-038 | 2 |
| UNAVAILABLE IN PRICE BOOK (Ref # 27) | 16017-033 | 2 |
| FLOAT (Ref # 28) | 16031-011 | 2 |
| GASKET FLOAT CHAMBER (Ref # 29) | 16019-009 | 2 |
| JET-MAIN NO 220A (Ref # 30) | 92063-024 | 2 |
| SCREW FLOAT CHAMBER (Ref # 31) | 16033-007 | 8 |
| SCREW FLOAT CHAMBER (Ref # 31) | 16033-011 | 8 |
| UNAVAILABLE IN PRICE BOOK (Ref # 32) | 16005-015 | (1) |
| TOP MIXING CHAMBER LH (Ref # 32) | 16005-018 | 1 |
| VALVE THROTTLE L.H (Ref # 33) | 16025-020 | (1) |
| VALVE THROTTLE L.H (Ref # 33) | 16025-026 | 1 |