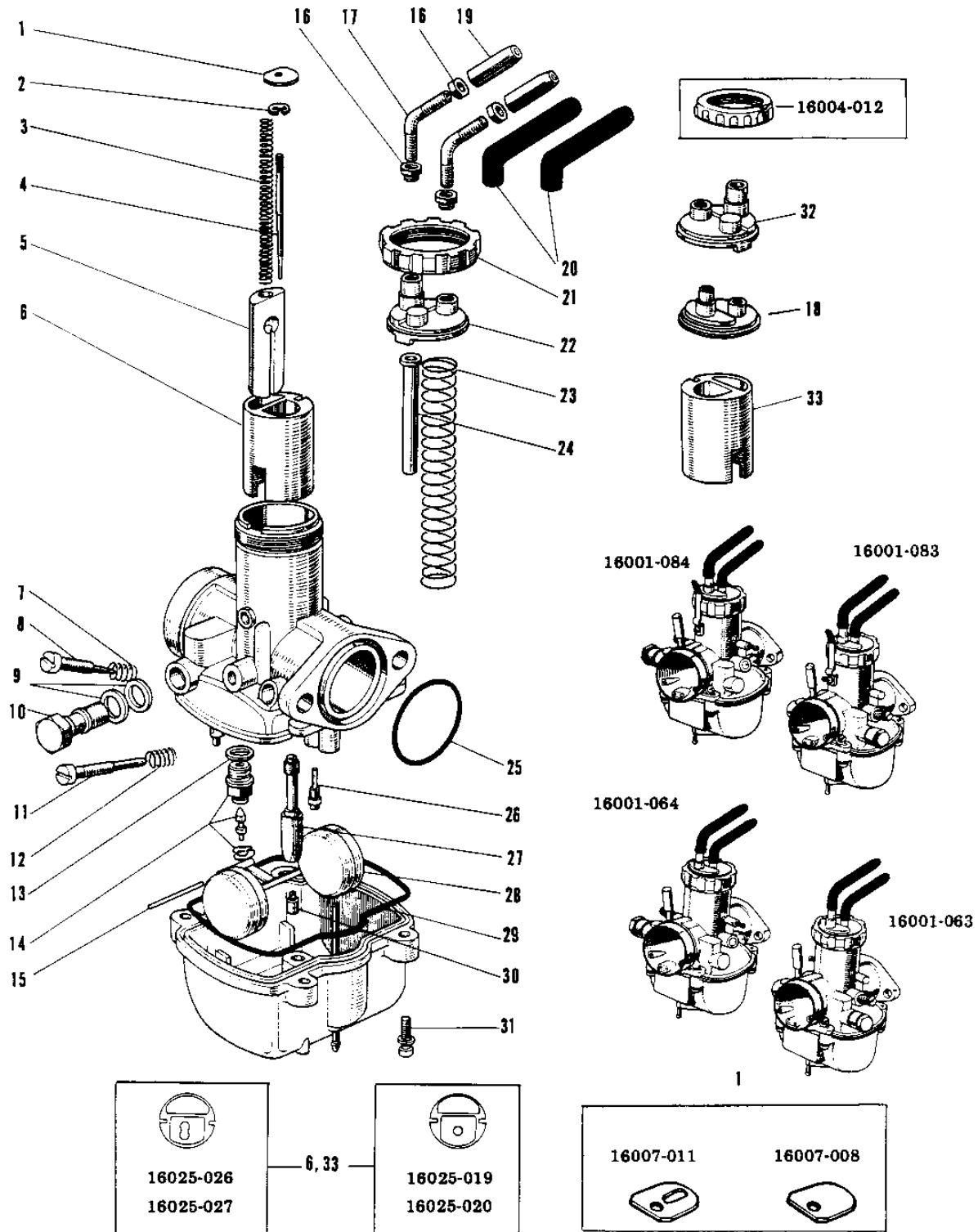


1969 W1SS PARTS DIAGRAM

CARBURETORS (W2SS/W2TT)



1969 W1SS PARTS LIST

CARBURETORS (W2SS/W2TT)

ITEM NAME	PART NUMBER	QUANTITY
CARBURETOR ASSY. R.H (Ref # 1~33)	16001-167	2
CARBURETOR ASSY,L.H (Ref # 1~33)	16001-168	2
SPRING SEAT THRTL VLV (Ref # 1)	16007-011	2
CIRCLIP (Ref # 2)	16008-010	1
SPRING AIR SHUTTER (Ref # 3)	16040-003	1
JET NEEDLE 5L1 (Ref # 4)	16009-017	1
SHUTTER AIR (Ref # 5)	16041-003	1
VALVE THROTTLE R.H (Ref # 6)	16025-027	2
SPRING THR STOP SCREW (Ref # 7)	16022-005	1
SCREW THROTTLE STOP (Ref # 8)	16021-007	1
GASKET,10,2X15X1.5T (Ref # 9)	11009-1146	1
BOLT BANJO (Ref # 10)	92060-006	1
BOLT BANJO (Ref # 10)	92060-011	1
SCREW PILOT AIR ADJST (Ref # 11)	16014-007	1
SPRING,THROTTLE ADJST (Ref # 12)	16022-010	1
WASHER FLOAT VLV SEAT (Ref # 13)	16029-005	1
FLOAT VALVE ASSY (Ref # 14)	16030-006	1
FLOAT PIN (Ref # 15)	16032-003	1
NUT CABLE ADJUST LOCK (Ref # 16)	16003-004	1
CABLE GUIDE (Ref # 17)	16077-001	1
TOP MIXING CHAMBER (Ref # 18)	16005-019	1
CABLE ADJUSTER (Ref # 19)	16002-004	1
CAP RUBBER (Ref # 20)	16037-003	1
CAP MIXING CHAMBER (Ref # 21)	16004-007	1
CAP MIXING CHAMBER (Ref # 21)	16004-012	1
UNAVAILABLE IN PRICE BOOK (Ref # 22)	16005-014	1
TOP MIXING CHAMBER RH (Ref # 22)	16005-017	1
SPRING THROTTLE VALVE (Ref # 23)	16006-011	1
GUIDE AIR SHUTTER (Ref # 24)	16045-002	1

1969 W1SS PARTS LIST

CARBURETORS (W2SS/W2TT)

ITEM NAME	PART NUMBER	QUANTITY
"O" RING,MANIFOLD (Ref # 25)	16038-006	1
PILOT JET NO.25 (Ref # 26)	92064-030	1
PILOT JET #30 (Ref # 26)	92064-029	1
NEEDLE JET 0-6 (Ref # 27)	16017-023	1
NEEDLE JET 0-6 (Ref # 27)	16017-038	1
UNAVAILABLE IN PRICE BOOK (Ref # 27)	16017-033	1
FLOAT (Ref # 28)	16031-011	1
GASKET FLOAT CHAMBER (Ref # 29)	16019-009	1
JET-MAIN NO 220A (Ref # 30)	92063-024	1
SCREW FLOAT CHAMBER (Ref # 31)	16033-007	1
SCREW FLOAT CHAMBER (Ref # 31)	16033-011	1
UNAVAILABLE IN PRICE BOOK (Ref # 32)	16005-015	1
TOP MIXING CHAMBER LH (Ref # 32)	16005-018	1
VALVE THROTTLE L.H (Ref # 33)	16025-020	1
VALVE THROTTLE L.H (Ref # 33)	16025-026	1