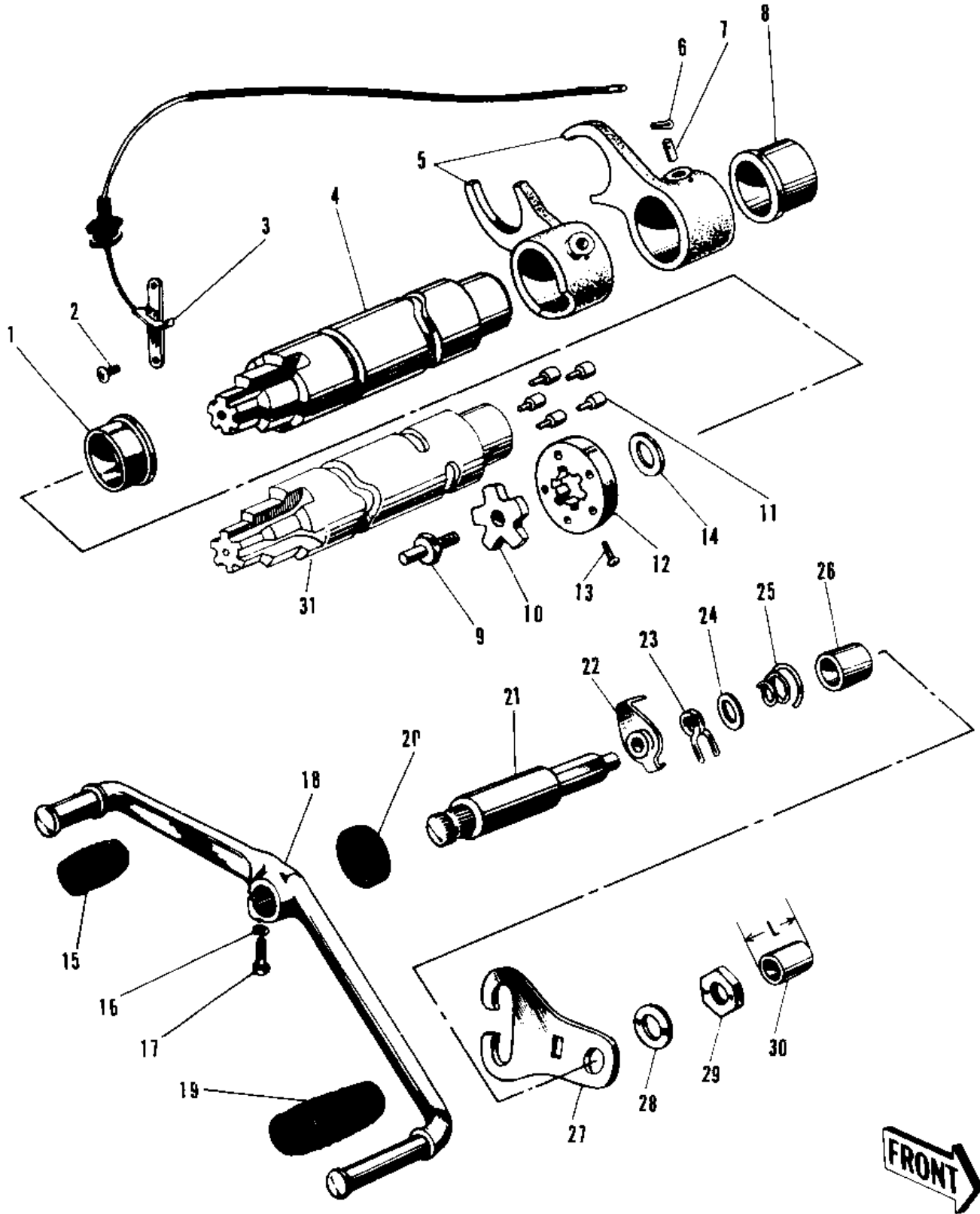


1969 W1SS PARTS DIAGRAM

GEAR CHANGE MECHANISM



FRONT →

1969 W1SS PARTS LIST

GEAR CHANGE MECHANISM

| ITEM NAME | PART NUMBER | QUANTITY |
|--------------------------------------|-------------|----------|
| UNAVAILABLE IN PRICE BOOK (Ref # 1) | 92028-060 | 1 |
| SCREW PAN HEAD 6X8 (Ref # 2) | 220B0608 | 1 |
| SWITCH NEUTRAL (Ref # 3) | 13151-008 | 1 |
| DRUM GEAR CHANGE (Ref # 4) | 13141-017 | 1 |
| FORK SELECTOR (Ref # 5) | 13140-016 | 1 |
| PIN COTTER 3.0X20 (Ref # 6) | 550D3020 | 1 |
| PIN SELECT FORK GUIDE (Ref # 7) | 92043-005 | 1 |
| BUSH CHANGE DRUM B (Ref # 8) | 92028-064 | 1 |
| BOLT HEX HEAD 8MM (Ref # 9) | 92001-022 | 1 |
| WASHER CHNG DR OPR DS (Ref # 10) | 92022-059 | 1 |
| PIN GEAR CHANGE DRUM (Ref # 11) | 92042-011 | 1 |
| PLATE CHANGE DRUM PIN (Ref # 12) | 13142-006 | 1 |
| SCREW PAN HEAD 4X6 (Ref # 13) | 211Z0406 | 1 |
| UNAVAILABLE IN PRICE BOOK (Ref # 13) | 211Z0406A | 1 |
| PLATE CHANGE DRUM PIN (Ref # 14) | 13142-005 | 1 |
| RUBBER CHANGE PEDAL B (Ref # 15) | 13157-003 | 1 |
| WASHER SPRING 8MM (Ref # 16) | 461F0800 | 1 |
| BOLT-SMALL-UPSET,8X22 (Ref # 17) | 115B0822 | 1 |
| PEDAL GEAR CHANGE (Ref # 18) | 13156-022 | 1 |
| RUBBER CHANGE PEDAL A (Ref # 19) | 13157-002 | 1 |
| OIL SEAL VB20326 (Ref # 20) | 92053-004 | 1 |
| SHAFT GEAR CHNG PEDAL (Ref # 21) | 13167-010 | 1 |
| LEVER GEAR CHANGE (Ref # 22) | 13163-010 | 1 |
| SPRING CHANGE PEDAL (Ref # 23) | 92083-006 | 1 |
| WASHER 16MM (Ref # 24) | 13164-001 | 1 |
| SPRING CHANGE LEVER (Ref # 25) | 92081-016 | 1 |
| SPACER RATCHET LEVER (Ref # 26) | 92026-018 | 1 |
| LEVER GEAR CHNG PAWL (Ref # 27) | 13165-010 | 1 |
| WASHER RATCHET LEVER (Ref # 28) | 92022-061 | 1 |

1969 W1SS PARTS LIST

GEAR CHANGE MECHANISM

| ITEM NAME | PART NUMBER | QUANTITY |
|----------------------------------|-------------|----------|
| NUT 16MM (Ref # 29) | 92016-036 | 1 |
| BUSH CHANGE PEDAL SHT (Ref # 30) | 92028-063 | 1 |