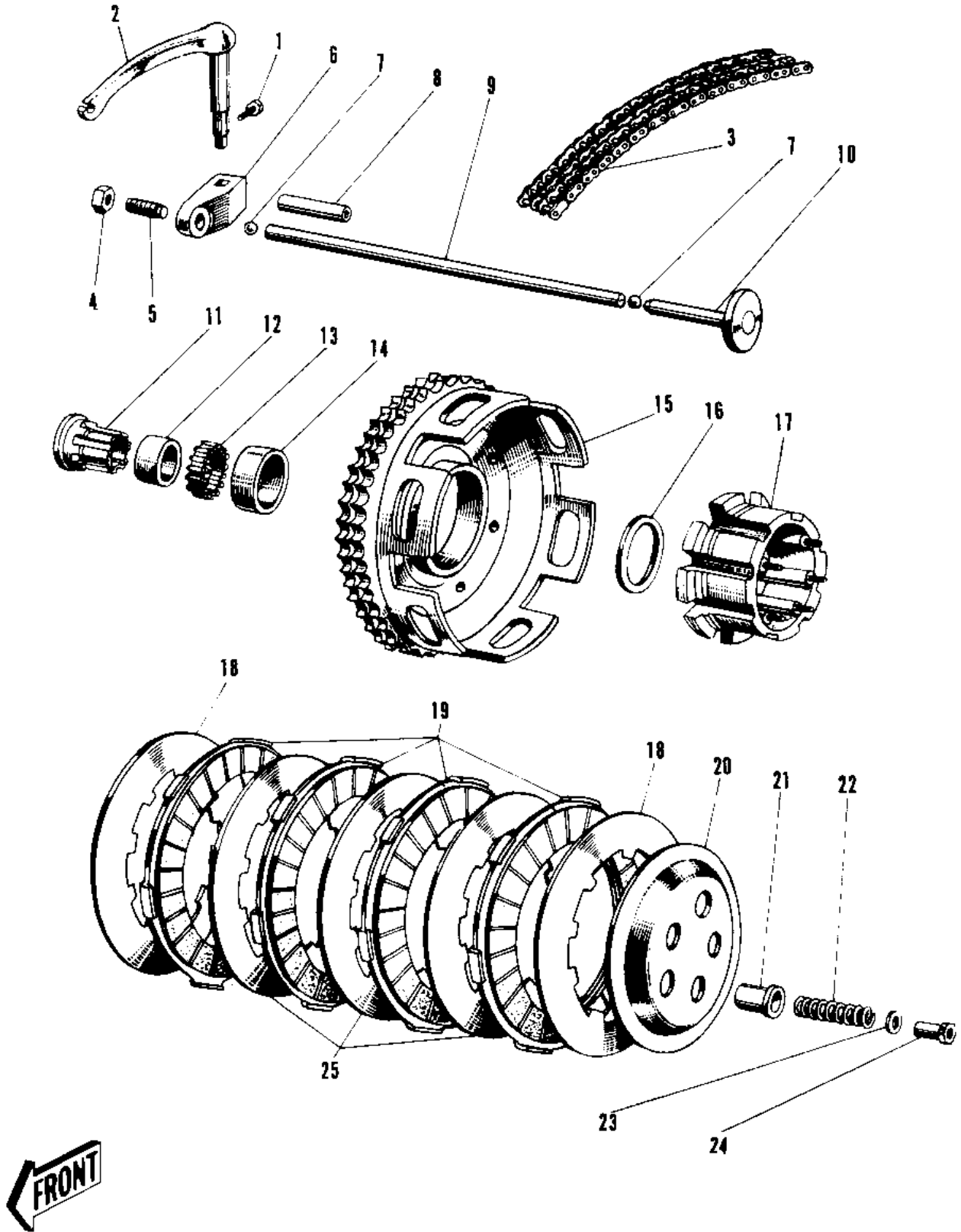


## 1969 Commander PARTS DIAGRAM

CLUTCH



## 1969 Commander PARTS LIST

### CLUTCH

ITEM NAME	PART NUMBER	QUANTITY
SCREW CLT RELEASE LEV (Ref # 1)	92014-007	1
LEVER CLUTCH RELEASE (Ref # 2)	13103-008	1
UNAVAILABLE IN PRICE BOOK (Ref # 3)	13122-003	1
CHAIN PRIMARY DRIVE (Ref # 3)	13122-004	1
NUT,10MM (Ref # 4)	314B1000	1
SCREW CLUTCH ADJUST (Ref # 5)	92014-006	1
FINGER CLUTCH OPERATE (Ref # 6)	13109-001	1
BALL STEEL 1/4' (Ref # 7)	600A0800	1
ROD CLUTCH RELEASE A (Ref # 8)	13116-005	1
ROD CLUTCH RELEASE A (Ref # 9)	13116-004	1
PUSHER CLUTCH (Ref # 10)	13114-006	1
SLEEVE CLUTCH HOUSING (Ref # 11)	13126-001	2
COLLAR CLUTCH (Ref # 12)	92027-041	1
BEARING CLUTCH NEEDLE (Ref # 13)	92046-006	1
CLUTCH ASSY (Ref # 14~26)	13082-014	1
CLUTCH-ASSY (Ref # 14~26)	13082-017	1
BUSH CLUTCH (Ref # 14)	92028-050	1
HOUSING CLUTCH (Ref # 15)	13095-014	1
HOUSING CLUTCH (Ref # 15)	13095-015	1
WASHER,THRUST (Ref # 16)	92026-126	1
HUB CLUTCH (Ref # 17)	13087-011	1
PLATE CLUTCH OUTER (Ref # 18)	13090-008	1
PLATE CLUTCH FRICTION (Ref # 19)	13088-011	1
PLATE CLUTCH SPRING (Ref # 20)	13090-007	1
GUIDE CLUTCH SPRING (Ref # 21)	13092-002	1
SPRING CLUTCH (Ref # 22)	92081-036	1
PLATE CLTCH SPRG HOLD (Ref # 23)	13091-004	1
NUT CLUTCH SPRING (Ref # 24)	92015-025	1
PLATE CLUTCH STEEL (Ref # 25)	13089-010	1