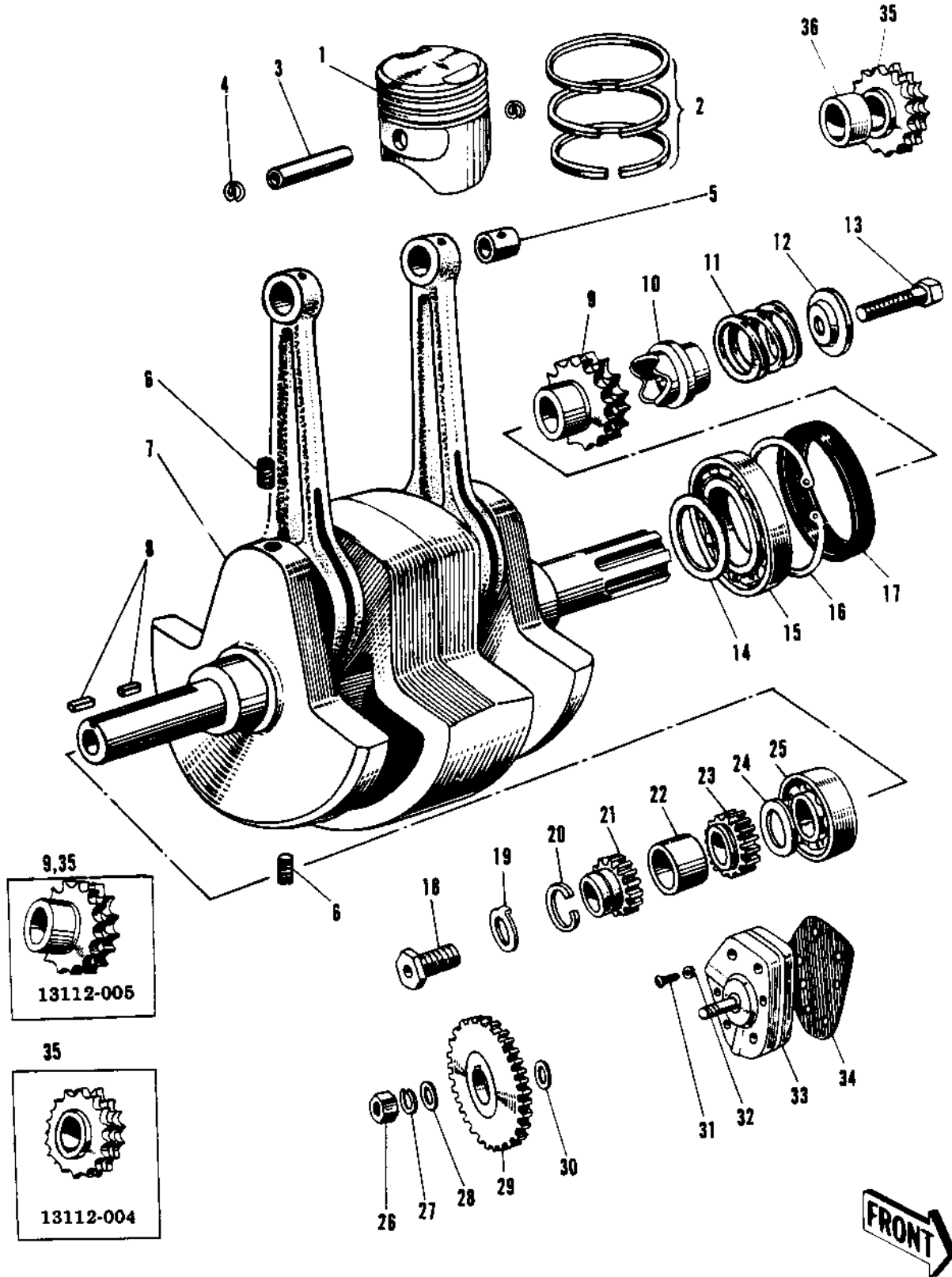


# 1968 Commander PARTS DIAGRAM

CRANKSHAFT/PISTONS/OIL PUMP



# 1968 Commander PARTS LIST

## CRANKSHAFT/PISTONS/OIL PUMP

| ITEM NAME                            | PART NUMBER | QUANTITY |
|--------------------------------------|-------------|----------|
| PISTON STD (Ref # 1)                 | 13001-025   | 2        |
| RING SET STD (Ref # 2)               | 13008-018   | 2        |
| PIN-PISTON (Ref # 3)                 | 13002-012   | 2        |
| UNAVAILABLE IN PRICE BOOK (Ref # 4)  | 92036-009   | (4       |
| CIRCLIP PISTON PIN (Ref # 4)         | 92036-008   | 4        |
| BUSH SMALL END (Ref # 5)             | 92028-030   | 2        |
| SCREW SLOTTED (Ref # 8)              | 291H0816    | 2        |
| CRANK - CONROD ASSY (Ref # 7)        | 13036-020   | 1        |
| WOODRUFF KEY (Ref # 8)               | 511A0514    | 2        |
| CRANKSHAFT SPROCKET (Ref # 9)        | 13112-003   | (1       |
| CRANKSHAFT SPROCKET (Ref # 9)        | 13112-005   | 1        |
| ABSORBER CHAIN SHOCK (Ref # 10)      | 13049-001   | (1       |
| ABSORBER CHAIN SHOCK (Ref # 10)      | 13049-001   | 1        |
| SPRING SHOCK ABSORBAR (Ref # 11)     | 92081-031   | 1        |
| SEAT SPRING (Ref # 12)               | 13047-001   | 1        |
| BOLT HEX HEAD 16X35 (Ref # 13)       | 113G1635    | 1        |
| SHIM MAIN BEARING (Ref # 14)         | 92025-018   | 1        |
| BEARING ROLLER BL307N (Ref # 15)     | 92045-015   | 1        |
| CIRCLIP 80MM (Ref # 16)              | 481J8000    | 1        |
| OIL SEAL SC458010 (Ref # 17)         | 92050-019   | 1        |
| BOLT OIL PUMP PINION (Ref # 18)      | 92001-041   | 1        |
| WASHER OIL PUMP LOCK (Ref # 19)      | 92030-002   | 1        |
| RING OIL SEAL (Ref # 20)             | 16139-001   | 1        |
| PINION OIL PUMP (Ref # 21)           | 16084-006   | 1        |
| SPACER OL PUMP PINION (Ref # 22)     | 92026-032   | 1        |
| PINION CRANKSHAFT (Ref # 23)         | 12062-001   | 1        |
| UNAVAILABLE IN PRICE BOOK (Ref # 24) | 92027-040   | 1        |
| BEARING ROLLER BL307N (Ref # 25)     | 92045-015   | (1       |
| BEARING ROLLER BL307N (Ref # 25)     | 92045-015   | 1        |

# 1968 Commander PARTS LIST

## CRANKSHAFT/PISTONS/OIL PUMP

| ITEM NAME                        | PART NUMBER | QUANTITY |
|----------------------------------|-------------|----------|
| NUT,8MM (Ref # 28)               | 317G0800    | 1        |
| WASHER SPRING 8MM (Ref # 27)     | 461F0800    | 1        |
| WASHER PLAIN 8MM (Ref # 28)      | 410B0800    | 1        |
| GEAR OIL PUMP (Ref # 29)         | 16085-007   | (1       |
| GEAR OIL PUMP (Ref # 29)         | 16085-007   | (1       |
| GEAR OIL PUMP (Ref # 29)         | 16085-007   | 1        |
| WASHER PLAIN (Ref # 30)          | 92022-147   | 1        |
| SCREW PAN HEAD 6X55 (Ref # 31)   | 220B0655    | 4        |
| WASHER SPRING 6MM (Ref # 32)     | 461F0600    | 4        |
| OIL PUMP ASSY (Ref # 33)         | 16082-012   | 1        |
| GASKET OIL PUMP (Ref # 34)       | 16094-005   | 1        |
| CRANKSHAFT SPROCKET (Ref # 35)   | 13112-004   | (1       |
| CRANKSHAFT SPROCKET (Ref # 35)   | 13112-005   | 1        |
| COLLAR CRANK SPROCKET (Ref # 36) | 92027-047   | 1        |