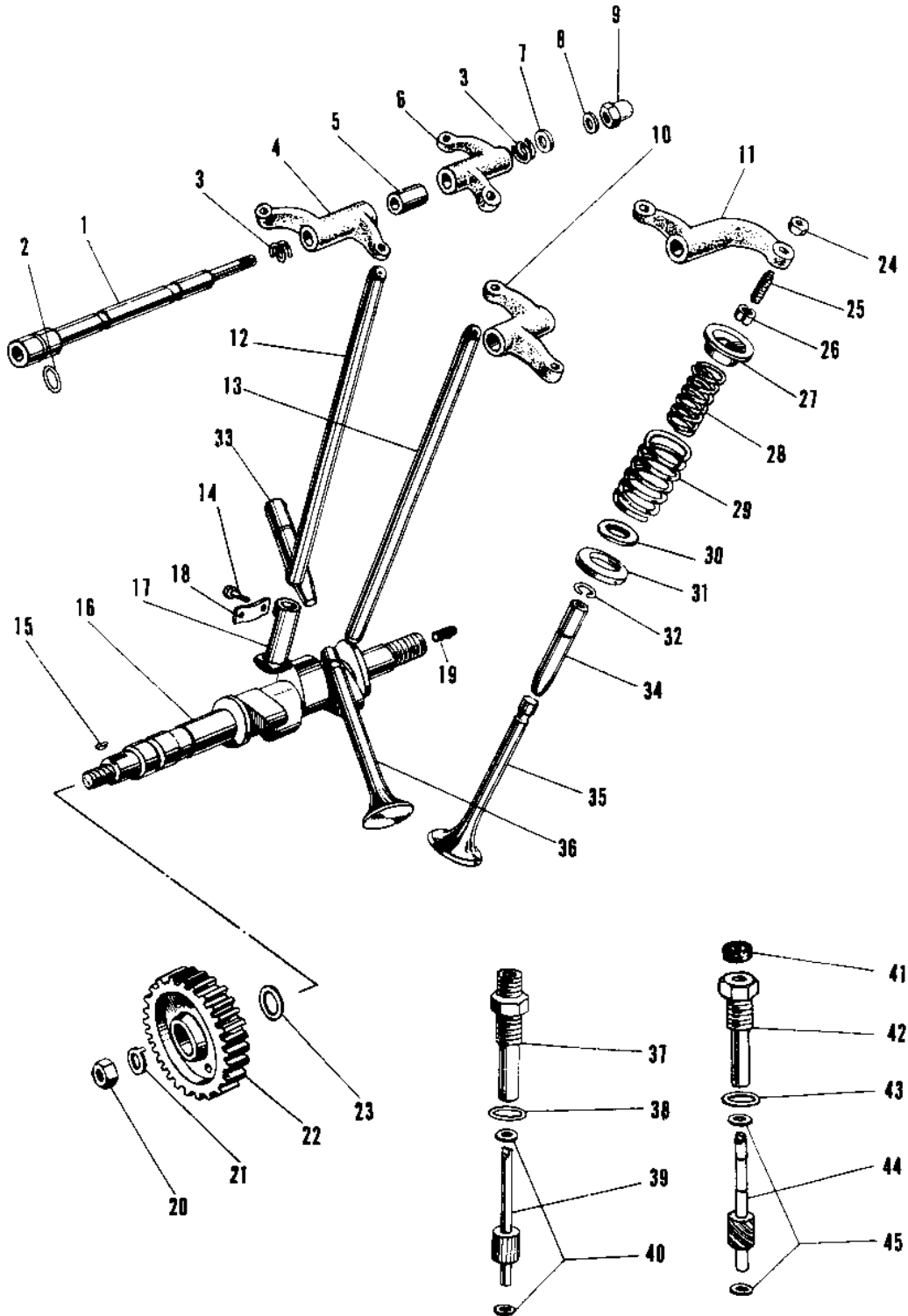


## 1969 Commander PARTS DIAGRAM CAMSHAFT/ROCKER ARMS/VALVES



## 1969 Commander PARTS LIST

### CAMSHAFT/ROCKER ARMS/VALVES

ITEM NAME	PART NUMBER	QUANTITY
SHAFT ROCKER ARM (Ref # 1)	12020-002	1
"O" RING,14MM (Ref # 2)	670B2014	1
SPRING ROCKER SHAFT (Ref # 3)	92081-041	1
ARM R.H INLET ROCKER (Ref # 4)	12016-002	1
BUSH ROCKER ARM SHAFT (Ref # 5)	92028-048	1
ARM L.H INLET ROCKER (Ref # 6)	12016-006	1
WASHER PLAIN 10MM (Ref # 7)	410B1000	1
GASKET CROWN NUT (Ref # 8)	92065-050	1
NUT CROWN 10MM (Ref # 9)	92020-013	1
ARM R.H EXH ROCKER (Ref # 10)	12016-001	1
ARM L.H EXH ROCKER (Ref # 11)	12016-010	1
ROD INLET PUSH (Ref # 12)	12038-003	1
ROD EXHAUST PUSH (Ref # 13)	12038-004	1
BOLT TAPPET FITTING (Ref # 14)	92003-033	1
WOODRUFF KEY CAM SHT (Ref # 15)	92038-009	1
SHAFT CAM (Ref # 16)	12044-003	1
TAPPET (Ref # 17)	12032-003	1
WASHER TAPPET LOCK (Ref # 18)	92022-110	1
PLUG CAM SHAFT (Ref # 19)	92066-012	1
NUT CAM GEAR (Ref # 20)	92016-038	1
WASHER LOCK 14MM (Ref # 21)	420B1410	1
GEAR CAM SHAFT (Ref # 22)	12045-002	1
UNAVAILABLE IN PRICE BOOK (Ref # 23)	92025-036	1
UNAVAILABLE IN PRICE BOOK (Ref # 23)	92025-037	1
UNAVAILABLE IN PRICE BOOK (Ref # 23)	92025-038	1
UNAVAILABLE IN PRICE BOOK (Ref # 23)	92025-039	1
UNAVAILABLE IN PRICE BOOK (Ref # 23)	92025-040	1
UNAVAILABLE IN PRICE BOOK (Ref # 23)	92025-041	1
UNAVAILABLE IN PRICE BOOK (Ref # 23)	92025-042	1

## 1969 Commander PARTS LIST

### CAMSHAFT/ROCKER ARMS/VALVES

ITEM NAME	PART NUMBER	QUANTITY
NUT LOCK (Ref # 24)	92016-030	1
SCREW (Ref # 25)	92014-005	1
COLLAR-VALVE SPRING (Ref # 26)	12011-001	1
RETAINER VALVE SPRING (Ref # 27)	12009-003	1
SPRING INNER VALVE (Ref # 28)	12007-004	2
SPRING OUTER VALVE (Ref # 29)	12007-007	1
SPRING OUTER VALVE (Ref # 29)	12007-008	1
GASKET (Ref # 30)	92065-049	1
SEAT SPRING (Ref # 31)	12010-002	1
CIRCLIP (Ref # 32)	92036-012	1
GUIDE INLET VALVE (Ref # 33)	12006-002	1
VALVE GUIDE (Ref # 33)	12012-001	2
GUIDE EXHAUST VALVE (Ref # 34)	12006-004	1
VALVE EXHAUST (Ref # 35)	12005-003	1
VALVE EXH 0.01' O.S (Ref # 35)	12031-002	1
VALVE INLET (Ref # 36)	12004-009	1
VALVE INLET 0.01' O.S (Ref # 36)	12030-002	1
GUIDE TACHOMETER (Ref # 37)	92087-002	1
"0" RING,16MM (Ref # 38)	670B2016	1
GEAR TACHOMETER (Ref # 39)	13223-001	1
SPACER TCHOMETER GEAR (Ref # 40)	92026-031	1
OIL SEAL (Ref # 41)	92054-004	1
GUIDE TACHOMETER (Ref # 42)	92087-004	1
"0" RING (Ref # 43)	92055-022	1
GEAR TACHOMETER (Ref # 44)	13223-002	1
SPACER TACHMETER GEAR (Ref # 45)	92026-045	1