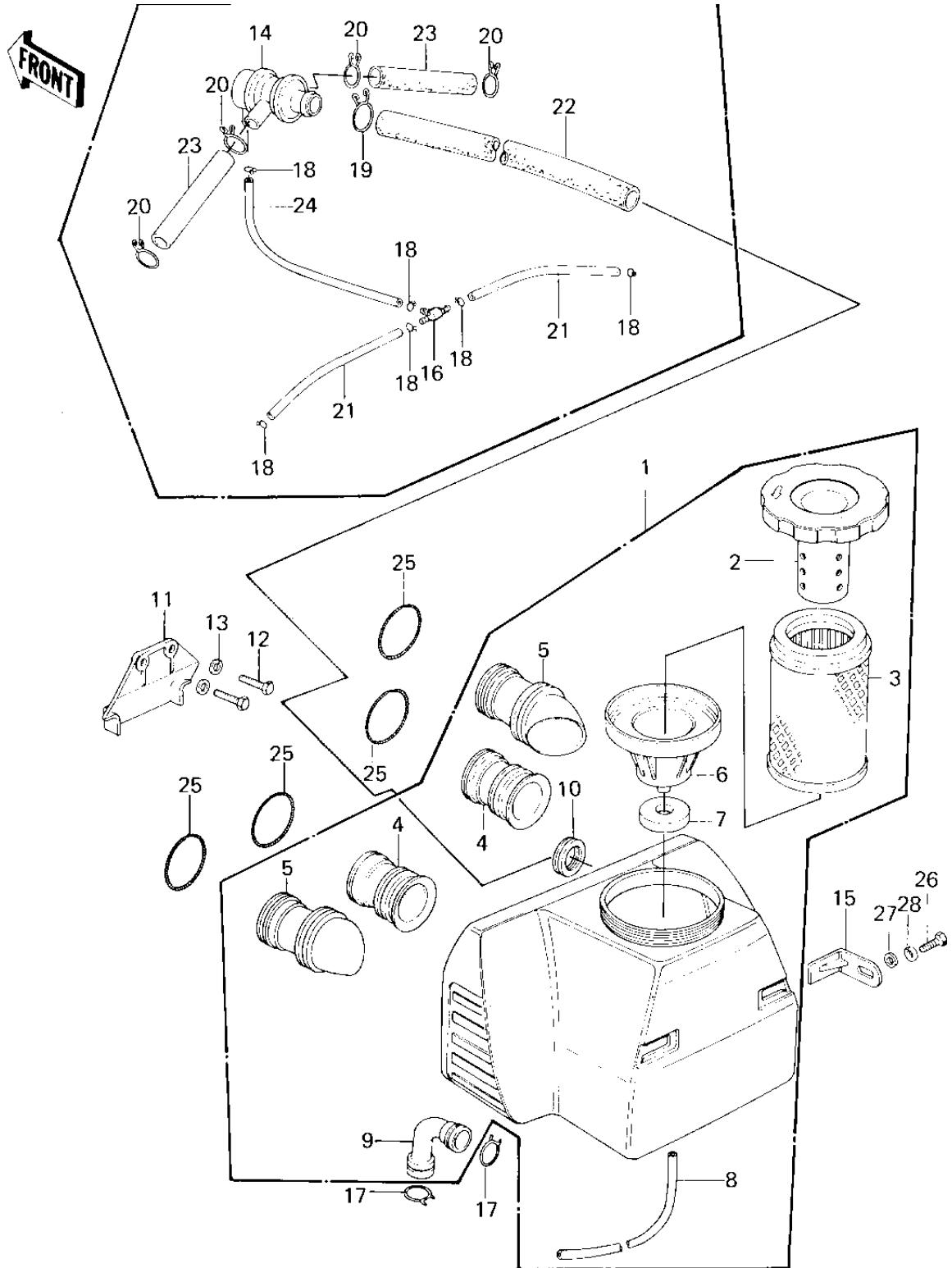


1980 KZ650-F1 PARTS DIAGRAM

AIR CLEANER



1980 KZ650-F1 PARTS LIST

AIR CLEANER

ITEM NAME	PART NUMBER	QUANTITY
FILTER-ASSY-AIR (Ref # 1)	11010-1078	1
CAP,AIR CLEANER (Ref # 2)	11012-069	1
ELEMENT,AIR CLNR (Ref # 3)	11013-1006	1
INLET DUCT,#2,3 (Ref # 4)	11015-057	2
INLET PIPE,#1.4 (Ref # 5)	11015-063	2
HOLDER,INLET PIPE (Ref # 6)	11033-006	1
GASKET,HOLDER (Ref # 7)	11039-003	1
TUBE, VINYL, 6X200 (Ref # 8)	700Q6200	1
TUBE,BREATHER (Ref # 9)	92059-137	1
GROMMET,AIR CLEANER (Ref # 10)	92071-1013	1
BAFFLE PLT,AIR CLEANER (Ref # 11)	11019-003	1
BOLT-UPSET (Ref # 12)	112G0618	2
WASHER PLAIN 6MM (Ref # 13)	411B0600	2
VALVE ASSY,AIR SWITCH (Ref # 14)	16126-1005	1
BRACKET,AIR CLEANER (Ref # 15)	32070-038	2
FITTING,TUBE (Ref # 16)	92005-1017	1
CLAMP BREATHER PIPE (Ref # 17)	92037-028	2
CLAMP-PIPE (Ref # 18)	92037-072	6
CLAMP (Ref # 19)	92037-1076	1
CLAMP,BREATHER TUBE (Ref # 20)	92037-213	4
TUBE,VACUUM,LONG (Ref # 21)	92059-1162	2
TUBE,19X25X415 (Ref # 22)	92059-1041	1
TUBE,14X20X100 (Ref # 23)	92059-1042	2
TUBE,4X9X290 (Ref # 24)	92059-1043	1
SPRING COIL (Ref # 25)	92081-047	4
BOLT-UPSET,6X12 (Ref # 26)	112G0612	2
WASHER PLAIN 6MM (Ref # 27)	411B0600	2
WASHER SPRING 6MM (Ref # 28)	461F0600	2