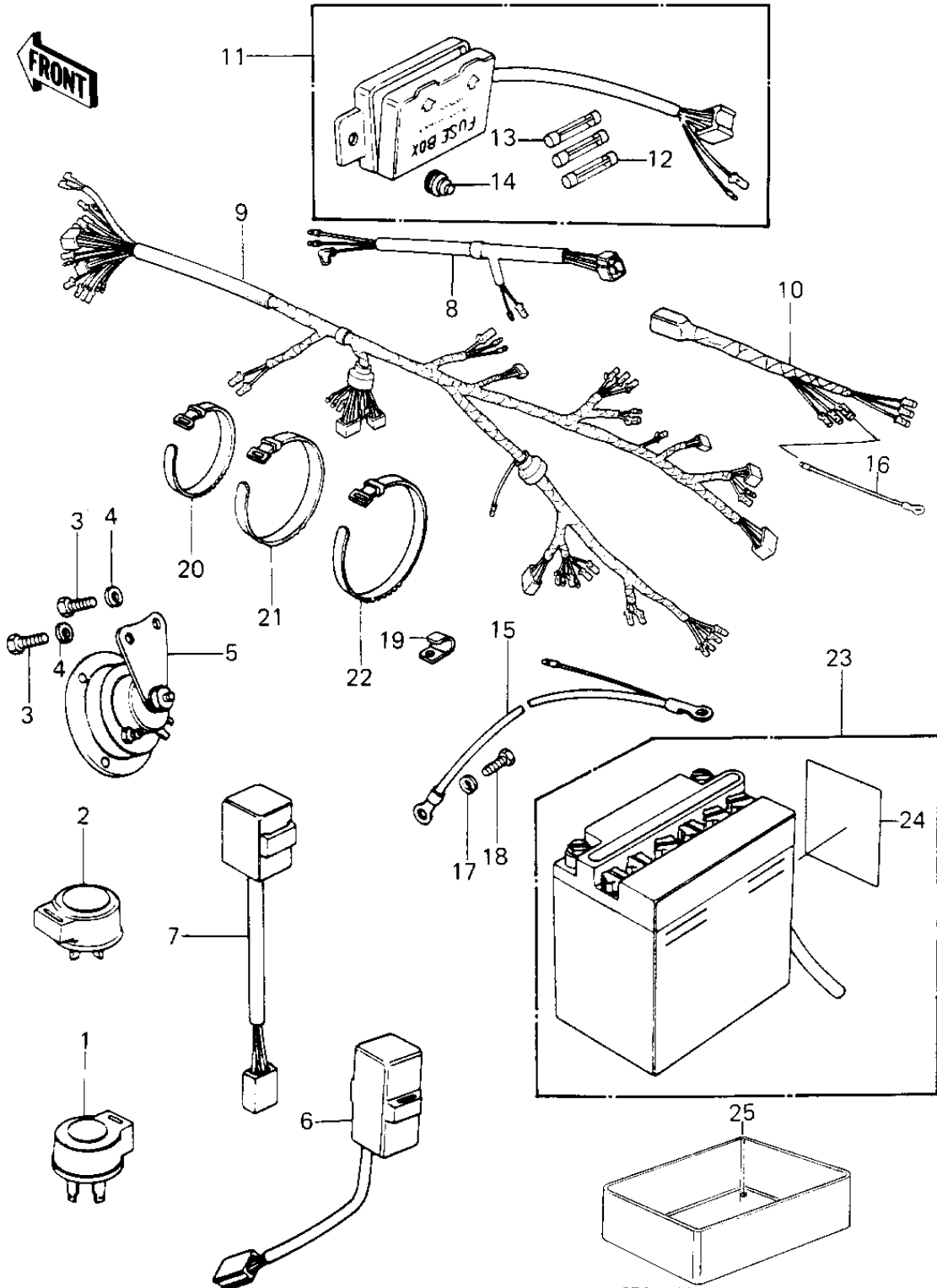


# 1980 LTD PARTS DIAGRAM

## CHASSIS ELECTRICAL EQUIPMENT



Re

276-1138, 275-1015, 278-1027, 274-106i

# 1980 LTD PARTS LIST

## CHASSIS ELECTRICAL EQUIPMENT

ITEM NAME	PART NUMBER	QUANTITY
RELAY-TURN SIGNAL (Ref # 1)	27002-011	1
RELAY,TURN SIGNAL (Ref # 2)	27002-016	1
BOLT-SMALL-UPSET,8X16 (Ref # 3)	115G0816	2
WASHER SPRING 8MM (Ref # 4)	461F0800	2
HORN (Ref # 5)	27003-076	1
SWITCH,FUEL CHECK (Ref # 6)	27010-1015	1
SWITCH,OUTAGE,INDICTR (Ref # 7)	28019-001	1
HARNESS,CENTER (Ref # 8)	26001-1022	1
HARNESS,MAIN (Ref # 9)	26001-1130	1
WIRING HARNESS,REAR (Ref # 10)	26002-063	1
FUSE ASSY (Ref # 11)	26004-1002	1
FUSE 10A (Ref # 12)	26006-003	3
FUSE-20A (Ref # 13)	26006-005	2
DAMPER RUBBER,FUSE (Ref # 14)	92075-279	1
WIRE,BATTERY GROUND (Ref # 15)	26010-049	1
LEAD WIRE,SIGNAL LAMP (Ref # 16)	26011-063	2
WASHER SPRING 6MM (Ref # 17)	461F0600	1
BOLT,HEX HEAD,6MM (Ref # 18)	92001-137	1
CLAMP,HARNESS (Ref # 19)	92037-113	1
BAND,SHORT (Ref # 20)	92072-030	2
BAND,MIDDLE (Ref # 21)	92072-031	1
BAND,WIRING HARNESS (Ref # 22)	92072-056	4
BATTERY 12V11AH W/LA (Ref # 23)	26012-1010	1
LABEL-WARNING,BATTERY (Ref # 24)	56040-1036	1
CASE,BATTERY (Ref # 25)	32099-015	1