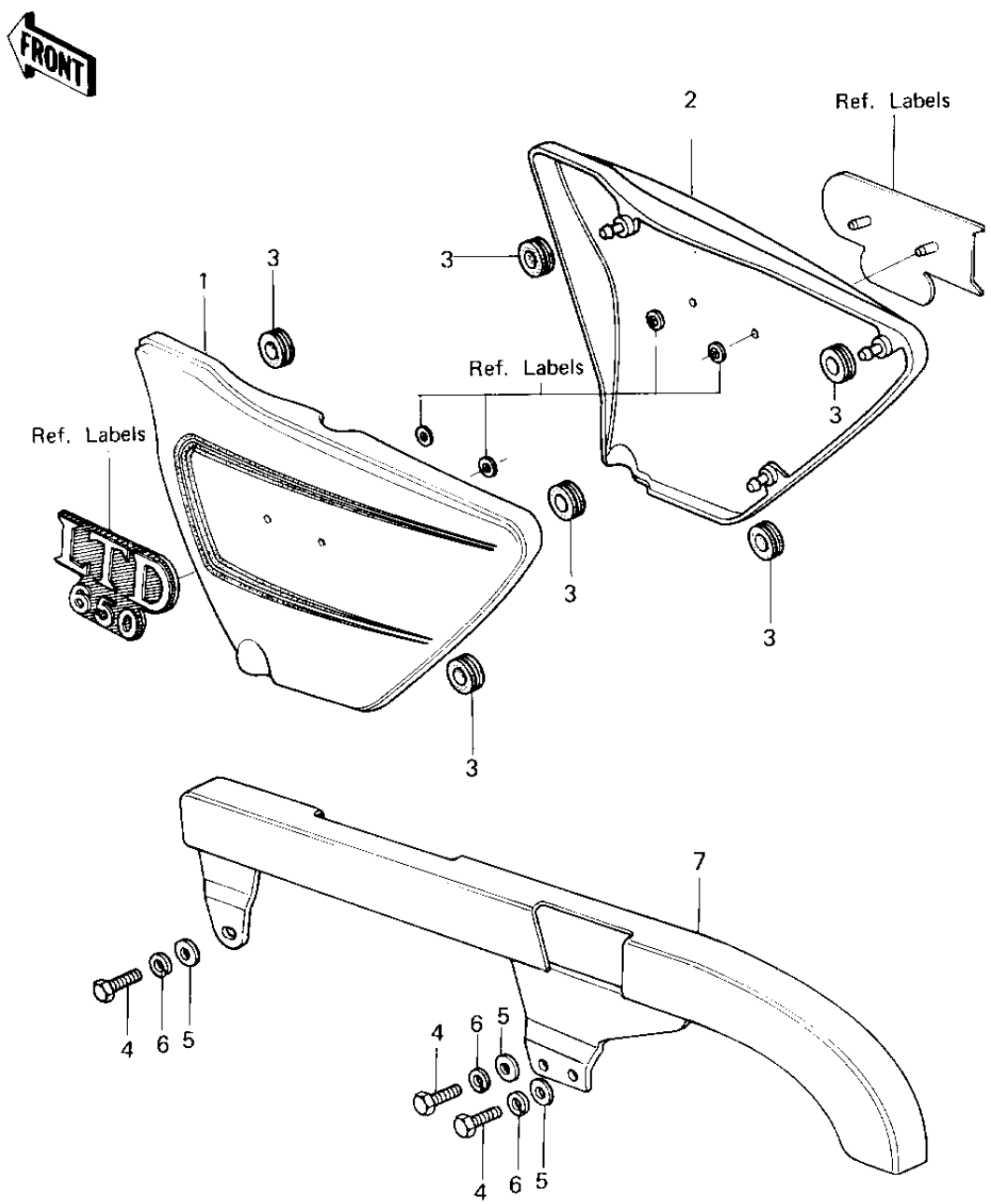


1980 LTD PARTS DIAGRAM

SIDE COVERS/CHAIN COVER



1980 LTD PARTS LIST

SIDE COVERS/CHAIN COVER

ITEM NAME	PART NUMBER	QUANTITY
COVER,SIDE,L.H,B PERL (Ref # 1)	36001-1055-B5	1
COVER,SIDE,L.H,P.RED (Ref # 1)	36001-5010-A5	1
COVER,SIDE,R.H,B.PERL (Ref # 2)	36001-1056-B5	1
COVER,SIDE,R.H,P.RED (Ref # 2)	36001-5011-A5	1
GROMMET (Ref # 3)	92071-056	6
BOLT-UPSET,6X16 (Ref # 4)	112G0616	3
WASHER PLAIN 6MM (Ref # 5)	410B0600	3
WASHER SPRING 6MM (Ref # 6)	461F0600	3
CASE,CHAIN (Ref # 7)	36014-1039	1