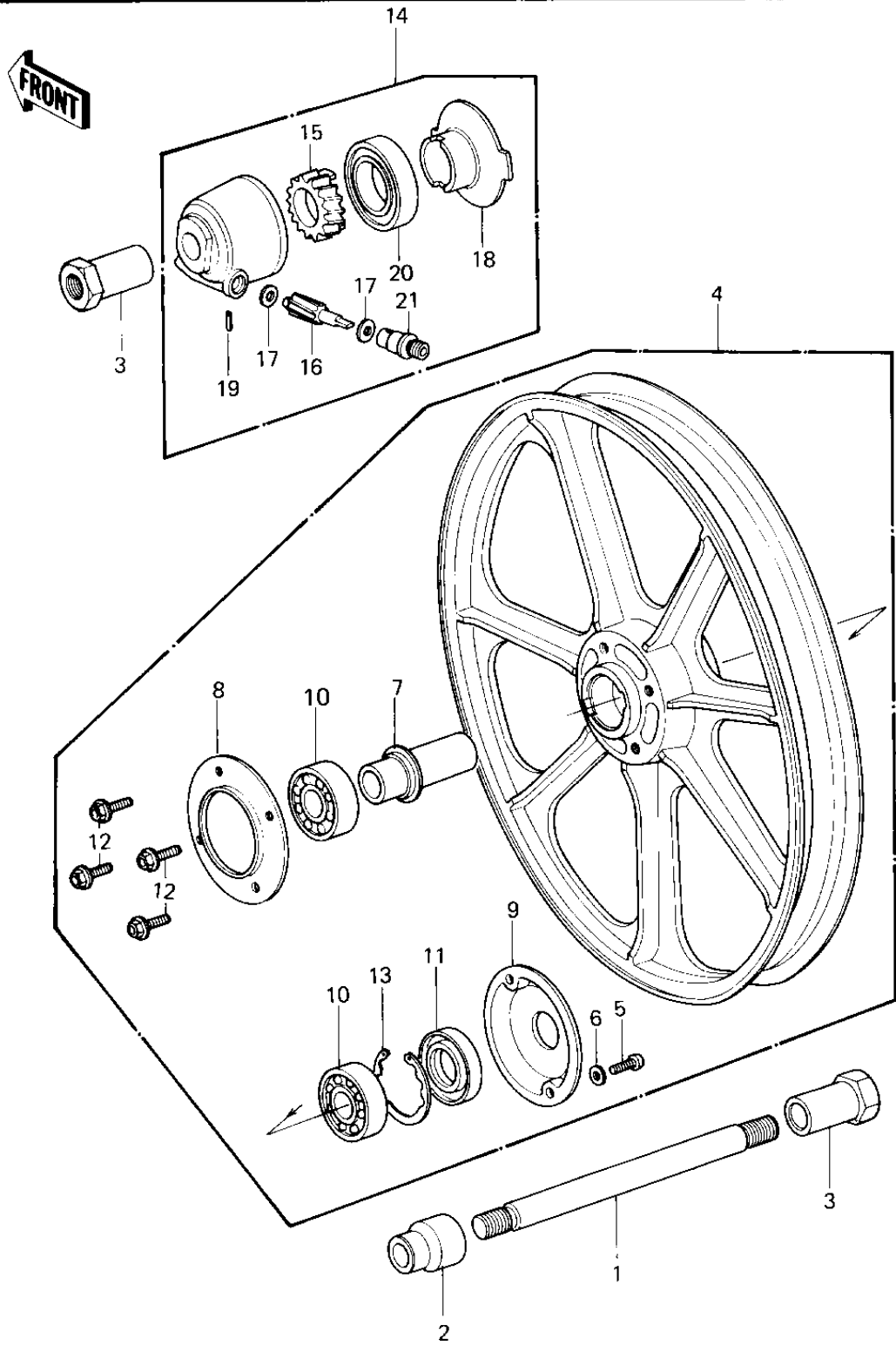


1980 LTD PARTS DIAGRAM

FRONT WHEEL/HUB



1980 LTD PARTS LIST

FRONT WHEEL/HUB

ITEM NAME	PART NUMBER	QUANTITY
AXLE,FRONT (Ref # 1)	41068-049	1
COLLAR,FRONT AXLE (Ref # 2)	41069-032	1
COLLAR,FRONT AXLE (Ref # 3)	41069-033	2
SOLID WHEEL ASSY,FRNT (Ref # 4)	41073-1066	1
SCREW PAN HEAD 5X12 (Ref # 5)	220B0512	2
WASHER PLAIN 5MM (Ref # 6)	410B0500	2
COLLAR,BRG (Ref # 7)	41039-028	1
DUST COVER (Ref # 8)	41042-014	1
DUST COVER (Ref # 9)	41042-016	1
BALL BEARING,#6203ZC3 (Ref # 10)	601B6203Z	2
OIL SEAL (Ref # 11)	654A254008	1
BOLT,HEX HEAD,10X30 (Ref # 12)	92001-1173	4
RING, SNAP,43.5M/M (Ref # 13)	92033-1040	1
GEAR BOX ASSY,SPEEDO (Ref # 14)	41078-1012	1
GEAR,SPEEDOMETER (Ref # 15)	41059-026	1
PINION,SPEEDOMETER (Ref # 16)	41060-017	1
WASHER THRST SPD PINI (Ref # 17)	41063-001	2
RECEIVER,GEAR (Ref # 18)	41064-013	1
PIN,SPRING (Ref # 19)	41082-001	1
OIL SEAL,BJN30427-C3 (Ref # 20)	92049-1057	1
BUSHING,SPEEDOMET CBL (Ref # 21)	92028-1066	1