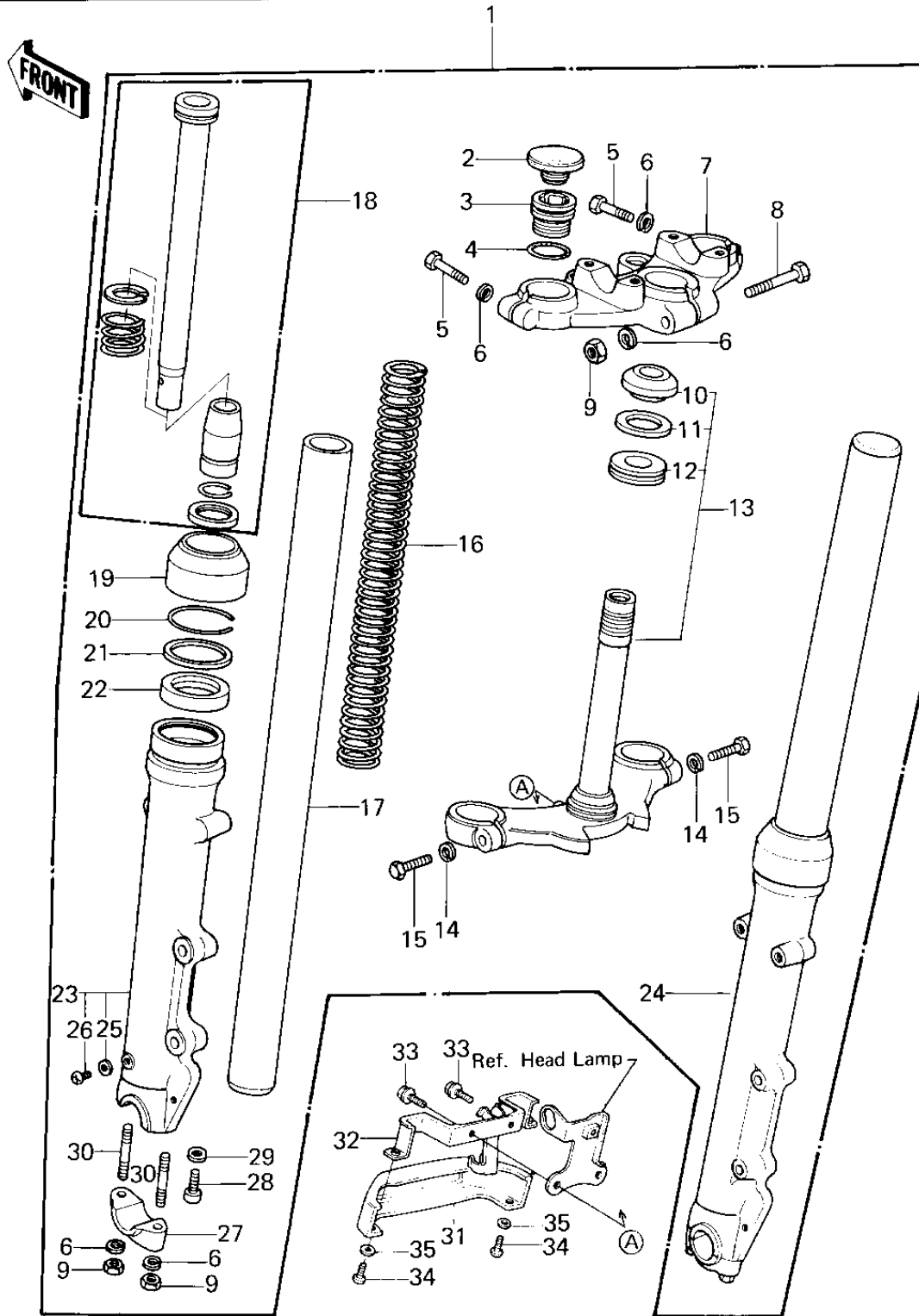


1980 LTD PARTS DIAGRAM

FRONT FORK



1980 LTD PARTS LIST

FRONT FORK

| ITEM NAME | PART NUMBER | QUANTITY |
|----------------------------------|-------------|----------|
| FORK-FRONT (Ref # 1) | 44001-1104 | 1 |
| CAP,RUBBER (Ref # 2) | 11012-1017 | 2 |
| SEAT-FORK SPRING (Ref # 3) | 44029-1046 | 2 |
| "O" RING,FORK TOP (Ref # 4) | 92055-1012 | 2 |
| BOLT-HEX HEAD.8M/M (Ref # 5) | 44041-045 | 2 |
| WASHER SPRING 8MM (Ref # 6) | 461F0800 | 7 |
| HEAD,STEERING STEM (Ref # 7) | 44039-076 | 1 |
| BOLT-STEERING STEM HD (Ref # 8) | 44041-042 | 1 |
| NUT,LOCK,8MM (Ref # 9) | 92015-1124 | 5 |
| CONE,STEERING STEM (Ref # 10) | 92047-012 | 1 |
| WASHER,PLAIN (Ref # 11) | 92022-231 | 1 |
| OIL SEAL,STEERING STM (Ref # 12) | 92056-003 | 1 |
| STEM,STEERING (Ref # 13) | 44037-107 | 1 |
| WASHER SPRING 12MM (Ref # 14) | 461F1200 | 2 |
| BOLT-HEX HEAD,12X36 (Ref # 15) | 92003-064 | 2 |
| SPRING,FORK (Ref # 16) | 44026-1012 | 2 |
| TUBE,FORK INNER (Ref # 17) | 44013-1011 | 2 |
| CYLINDER-FORK (Ref # 18) | 44022-1009 | 2 |
| DUST SHEILD,FORK (Ref # 19) | 44010-032 | 2 |
| CIRCLIP-OIL SEAL FIT (Ref # 20) | 44044-012 | 2 |
| WASHER-OIL SEAL FIT (Ref # 21) | 44043-044 | 2 |
| SEAL-OIL,FORK OUTER P (Ref # 22) | 92049-1216 | 2 |
| TUBE,LH,FORK OUTER (Ref # 23) | 44005-1036 | 1 |
| TUBE,RH,FORK OUTER (Ref # 24) | 44006-1036 | 1 |
| GASKET FORK DRAIN PLG (Ref # 25) | 44045-002 | 2 |
| SCREW PAN HEAD 4X8 (Ref # 26) | 220B0408 | 2 |
| HOLDER,FRONT AXLE (Ref # 27) | 44063-014 | 2 |
| BOLT-FORK CYLINDER (Ref # 28) | 44041-040 | 2 |
| GASKET,FORK CYLINDER (Ref # 29) | 44045-057 | 2 |

1980 LTD PARTS LIST

FRONT FORK

| ITEM NAME | PART NUMBER | QUANTITY |
|--------------------------------|-------------|----------|
| STUD,8X35 (Ref # 30) | 92004-1009 | 4 |
| COVER,FORK (Ref # 31) | 44033-1042 | 1 |
| BRACKET,FORK COVER (Ref # 32) | 11034-1602 | 1 |
| BELT,FLANGED,6X12 (Ref # 33) | 131B0612 | 2 |
| SCREW PAN HEAD 4X10 (Ref # 34) | 220B0410 | 2 |
| WASHER PLAIN 4MM (Ref # 35) | 410B0400 | 2 |