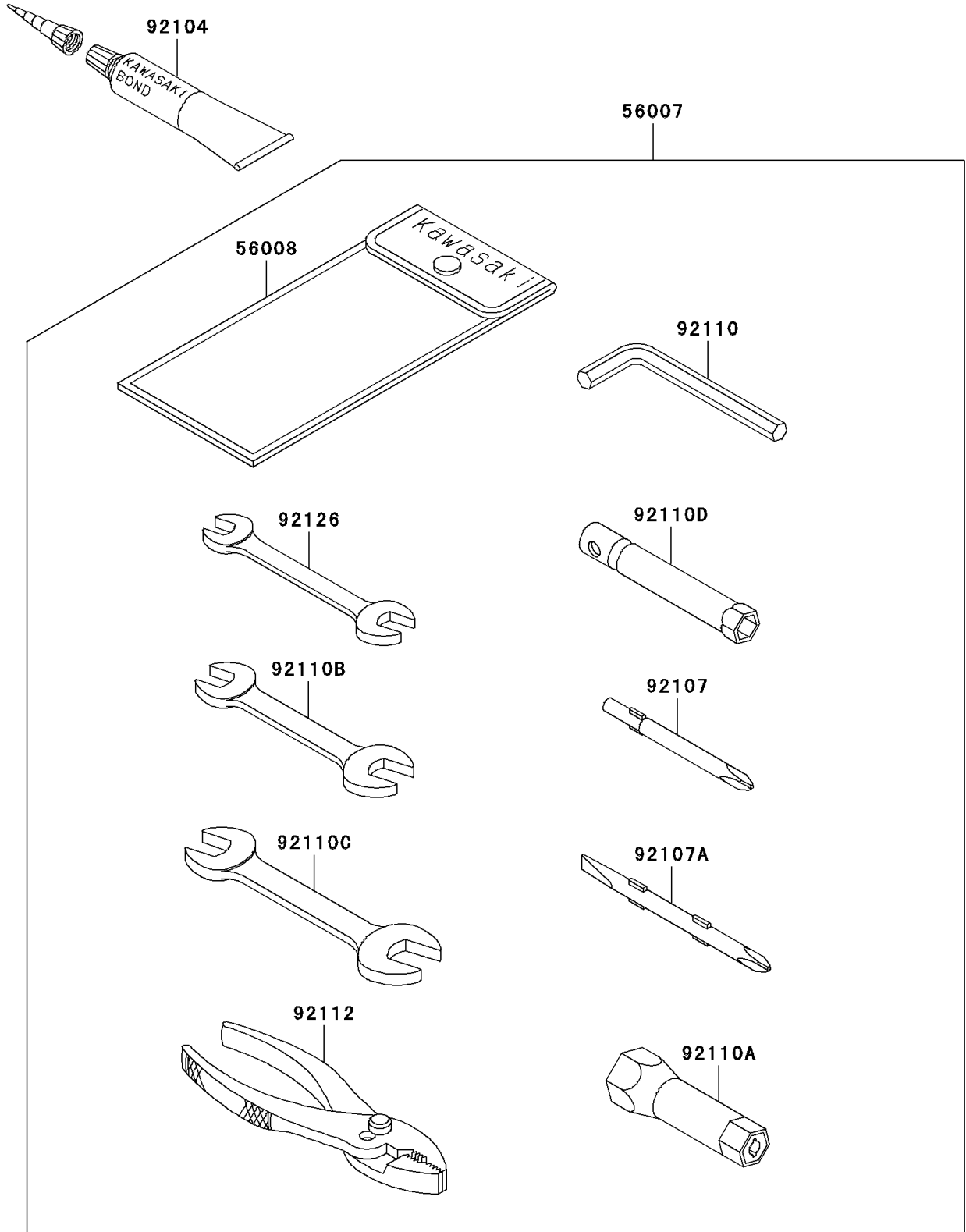


# 1999 SXI PRO PARTS DIAGRAM

Owner's Tools

F3182



# 1999 SXI PRO PARTS LIST

Owner's Tools

ITEM NAME	PART NUMBER	QUANTITY
-----------	-------------	----------