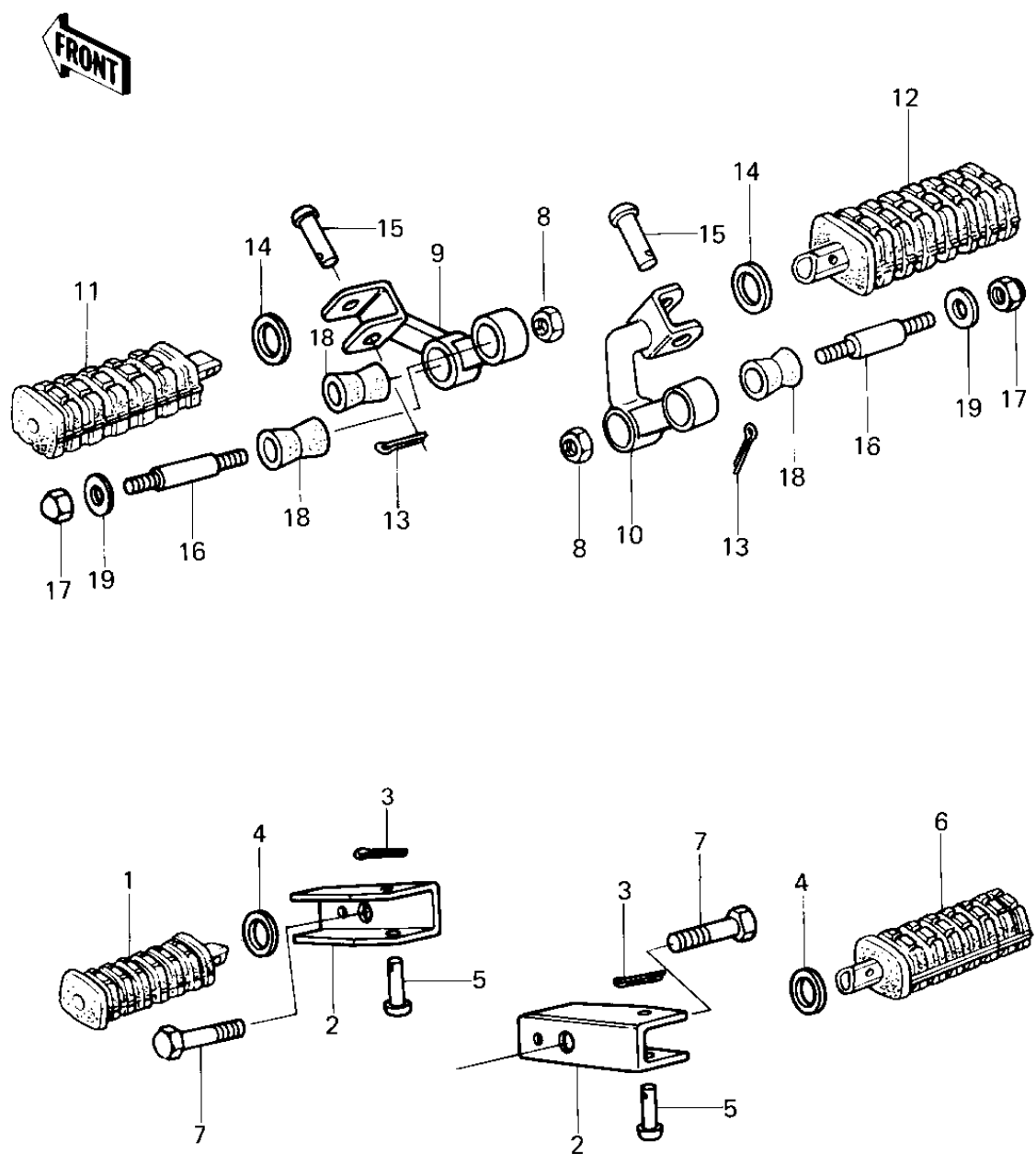


1980 LTD PARTS DIAGRAM

FOOTRESTS



1980 LTD PARTS LIST

FOOTRESTS

ITEM NAME	PART NUMBER	QUANTITY
STEP,FOOTREST,REAR,LH (Ref # 1)	34028-1009	1
BRACKET,REAR FOOTREST (Ref # 2)	34036-002	2
PIN,COTTER,2.0X12 (Ref # 3)	550D2012	2
WASHER-PLAIN (Ref # 4)	92022-181	2
PIN (Ref # 5)	92043-1464	2
STEP,FOOTREST,REAR,RH (Ref # 6)	34028-1010	1
BOLT,HEX HEAD,10X40 (Ref # 7)	92003-213	2
NUT 10MM (Ref # 8)	315B1000	4
HOLDER,STEP,L.H. (Ref # 9)	34003-1012	1
HOLDER,STEP,R.H. (Ref # 10)	34003-1015	1
STEP,FOOTREST,FRONT,L (Ref # 11)	34028-1007	1
STEP,FOOTREST,FRONT,R (Ref # 12)	34028-1008	1
PIN COTTER 2.5X16 (Ref # 13)	550D2516	2
WASHER,PLAIN (Ref # 14)	92022-250	2
PIN-FOOTREST BAR FIT (Ref # 15)	92043-080	2
STUD,FOOTREST BAR FIT (Ref # 16)	92004-048	4
NUT,CAP AND LOCK,8MM (Ref # 17)	92019-013	4
DAMPER RUBBER,FOOTRES (Ref # 18)	92075-293	4
CAP,FOOTRESTBAR (Ref # 19)	92102-010	4