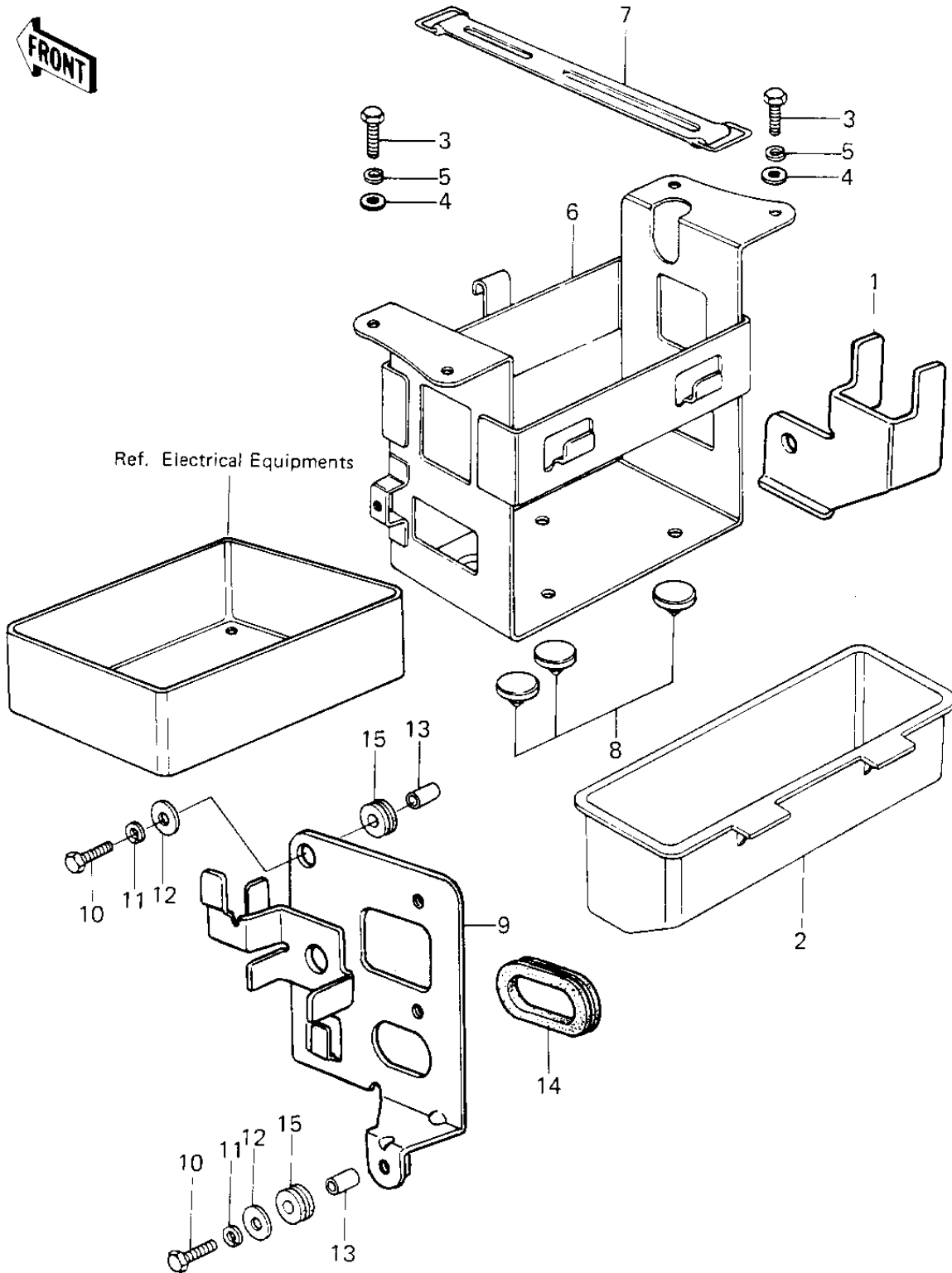


# 1980 LTD PARTS DIAGRAM

## BATTERY CASE/TOOL CASE



# 1980 LTD PARTS LIST

## BATTERY CASE/TOOL CASE

ITEM NAME	PART NUMBER	QUANTITY
BRACKET,SWITCH (Ref # 1)	11034-1158	1
CASE,TOOL (Ref # 2)	32098-028	1
BOLT-UPSET,6X12 (Ref # 3)	112G0612	4
WASHER PLAIN 6MM (Ref # 4)	410B0600	4
WASHER SPRING 6MM (Ref # 5)	461F0600	4
CASE,BATTERY (Ref # 6)	32097-1005	1
BAND,OIL TANK (Ref # 7)	92072-054	1
DAMPER RUBBER (Ref # 8)	92075-078	3
BRACKET,ELECTRO BASE (Ref # 9)	11036-1089	1
BOLT-UPSET (Ref # 10)	112G0625	2
WASHER SPRING 6MM (Ref # 11)	461F0600	2
WASHER,PLAIN,7MM (Ref # 12)	92022-228	2
COLLAR-CLAMP (Ref # 13)	92027-291	2
GROMMET,ELECTO BASE (Ref # 14)	92071-1007	1
DAMPER (Ref # 15)	92075-317	2