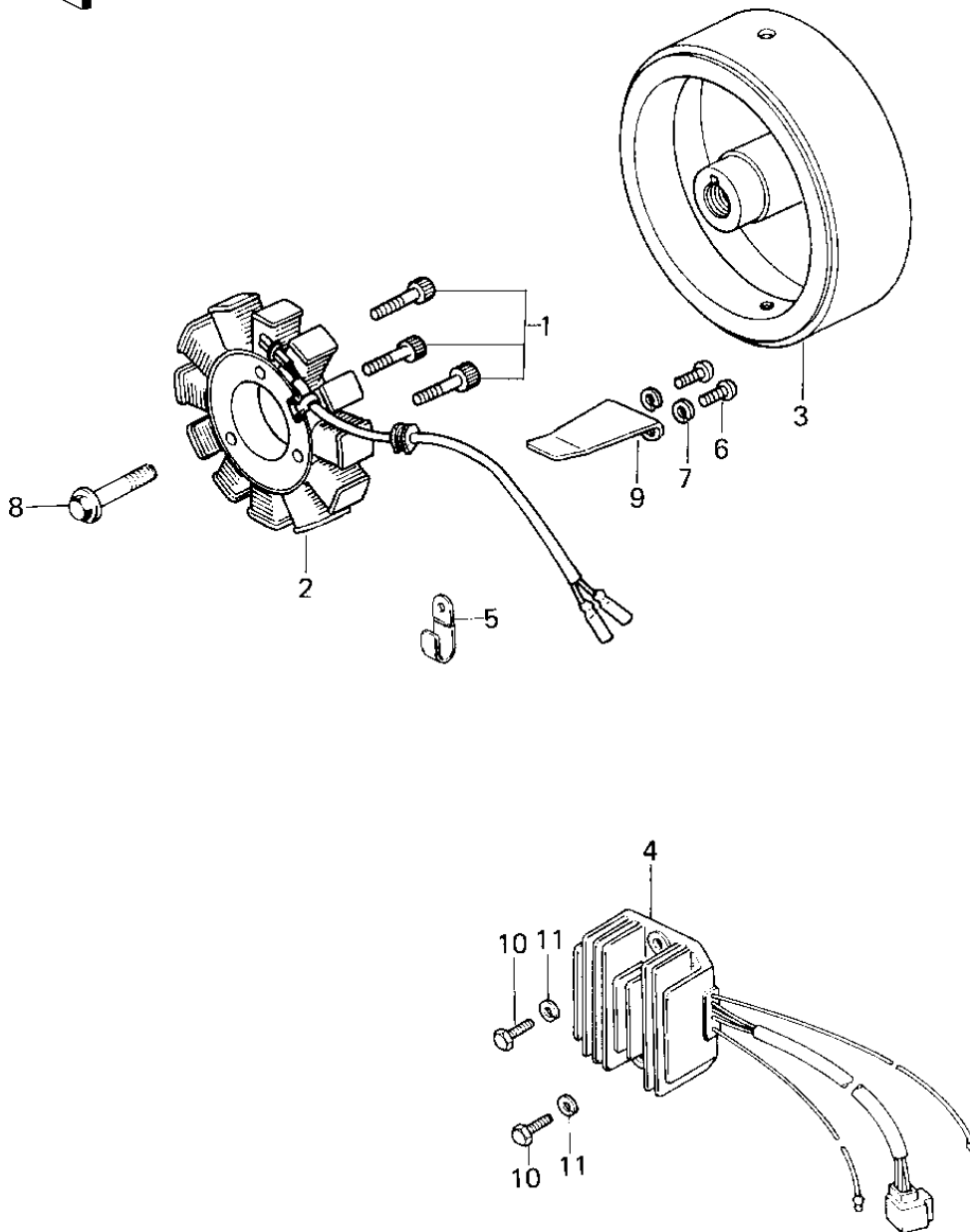


# 1980 LTD PARTS DIAGRAM

## GENERATOR/REGULATOR

R



# 1980 LTD PARTS LIST

## GENERATOR/REGULATOR

ITEM NAME	PART NUMBER	QUANTITY
BOLT-SOCKET,5X30 (Ref # 1)	120P0530	3
STATOR (Ref # 2)	21003-1005	1
FLYWHEEL (Ref # 3)	21050-1003	1
REGULATOR,VOLTAGE (Ref # 4)	21066-1014	1
CLAMP,WIRING HARNESS (Ref # 5)	21126-008	1
SCREW PAN HEAD 5X12 (Ref # 6)	220B0512	2
WASHER SPRING 5MM (Ref # 7)	461F0500	2
BOLT,10X40 (Ref # 8)	92001-1201	1
CLAMP,GENERATOR WIRE (Ref # 9)	92037-1122	1
BOLT-UPSET,6X16 (Ref # 10)	112G0616	2
WASHER SPRING 6MM (Ref # 11)	461F0600	2