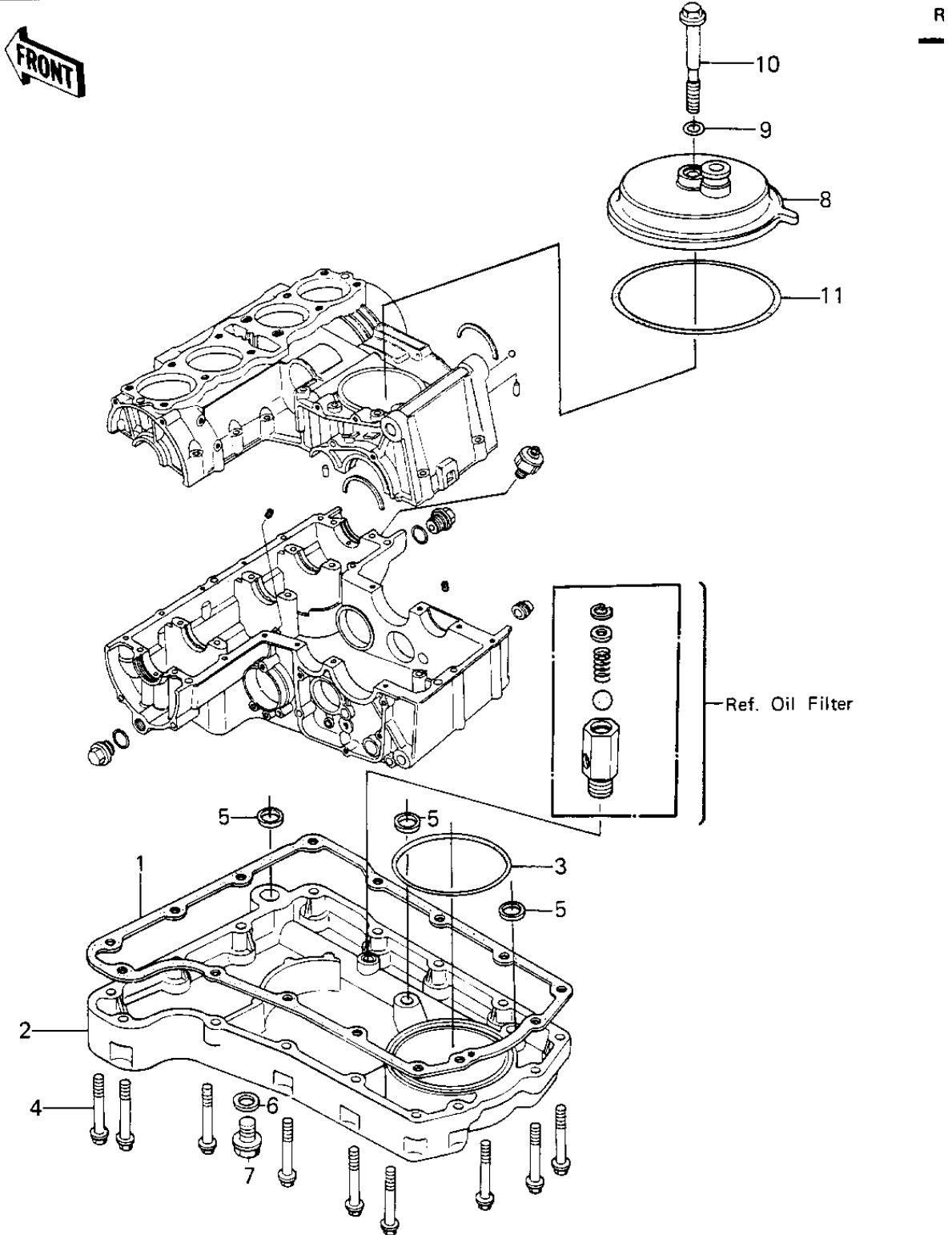


1980 LTD PARTS DIAGRAM

BREATHER COVER/OIL PAN



1980 LTD PARTS LIST

BREATHER COVER/OIL PAN

ITEM NAME	PART NUMBER	QUANTITY
GASKET,OIL PAN (Ref # 1)	11009-1983	1
PAN-OIL (Ref # 2)	49034-5011	1
"O" RING,90MM (Ref # 3)	671B2590	1
BOLT,FLANGED,6X25 (Ref # 4)	130G0625	15
"O" RING (Ref # 5)	92055-077	3
GASKET,DRIN PLUG (Ref # 6)	92065-097	1
PLUG,OIL DRAIN,12X15 (Ref # 7)	92066-1174	1
BODY-BREATHER (Ref # 8)	14070-1008	1
"O" RING,8MM (Ref # 9)	670B1508	1
BOLT,HEX HEAD,8X72 (Ref # 10)	92003-107	1
"O" RING,91MM (Ref # 11)	92055-052	1