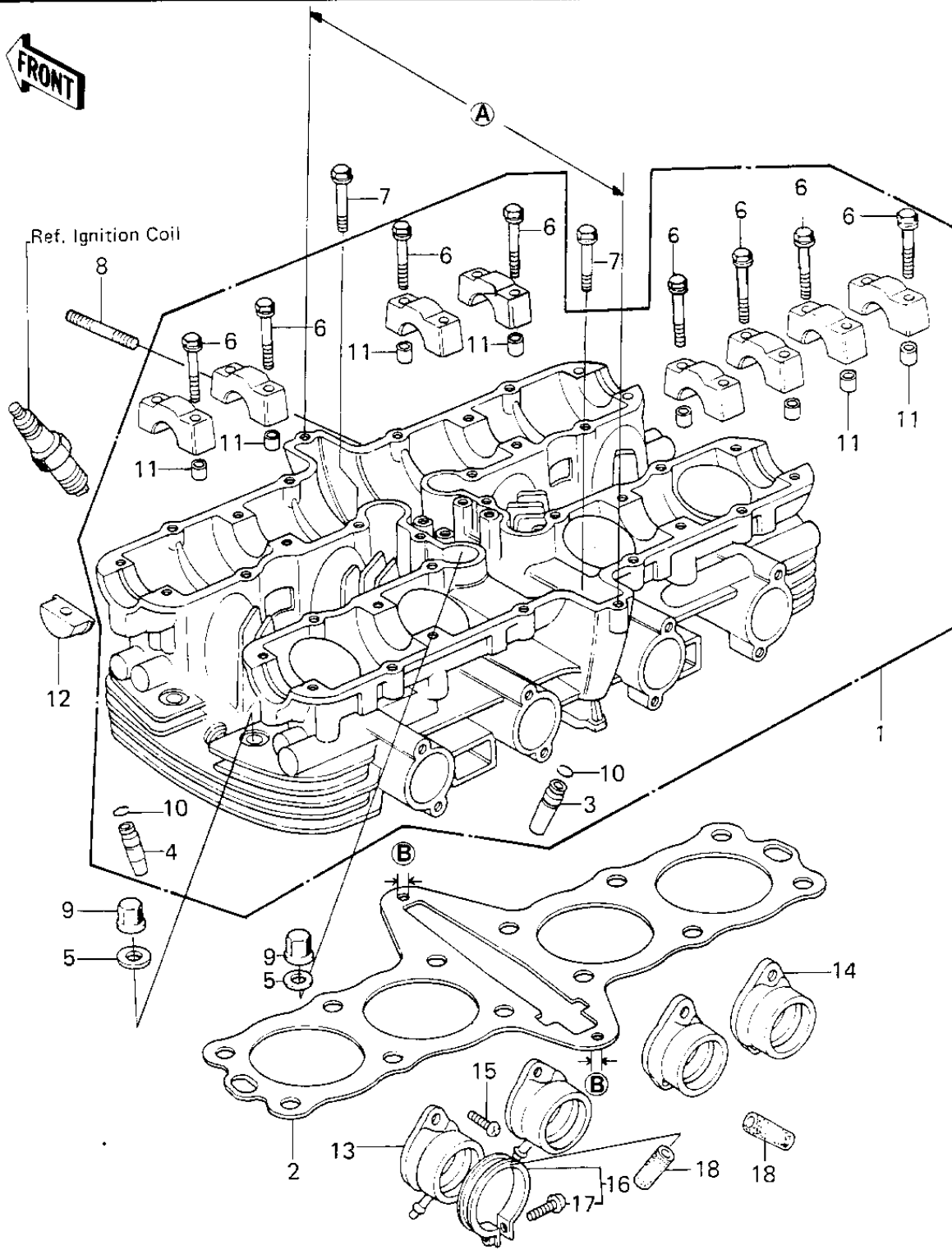


# 1980 LTD PARTS DIAGRAM

## CYLINDER HEAD



F

# 1980 LTD PARTS LIST

## CYLINDER HEAD

ITEM NAME	PART NUMBER	QUANTITY
HEAD ASSY,CYLINDER (Ref # 1)	11002-1014	1
HEAD-ASSY-CYLINDER,BA (Ref # 1)	11002-1075	1
GASKET-HEAD,CYLINDER (Ref # 2)	11004-1107	1
GASKET-HEAD,CYLINDER (Ref # 2)	11004-1107	1
GUIDE,INLET VALVE (Ref # 3)	12013-009	4
GUIDE,EXHAUST VALVE (Ref # 4)	49002-1002	4
GUIDE,EXHAUST VALVE (Ref # 4)	49002-1002	4
WASHER PLAIN 10MM (Ref # 5)	411B1000	12
BOLT,FLANGED,6X38 (Ref # 6)	92001-1105	16
BOLT,6X43 (Ref # 7)	92002-1881	2
BOLT,FLANGED,8X43 (Ref # 7)	92001-1445	2
BOLT,FLANGED,8X43 (Ref # 7)	92001-1445	2
STUD,6X27 (Ref # 8)	92004-066	8
NUT,CYLINDER HEAD (Ref # 9)	92015-076	12
CIRCLIP-VALVE (Ref # 10)	92036-023	8
PIN-DOWEL (Ref # 11)	92042-007	16
PLUG,CAMSHAFT,11.35X1 (Ref # 12)	92066-1111	4
HOLDER,CARB,L.H. (Ref # 13)	16065-046	2
HOLDER,CARB,R.H (Ref # 14)	16065-047	2
SCREW PAN HEAD 6X18 (Ref # 15)	220B0618	8
CLAMP,CARBURETOR HOLDER (Ref # 16)	92037-178	4
SCREW-PAN-CROSS, 5X25 (Ref # 17)	220B0525	4
RUBBER PLUG (Ref # 18)	92068-006	2