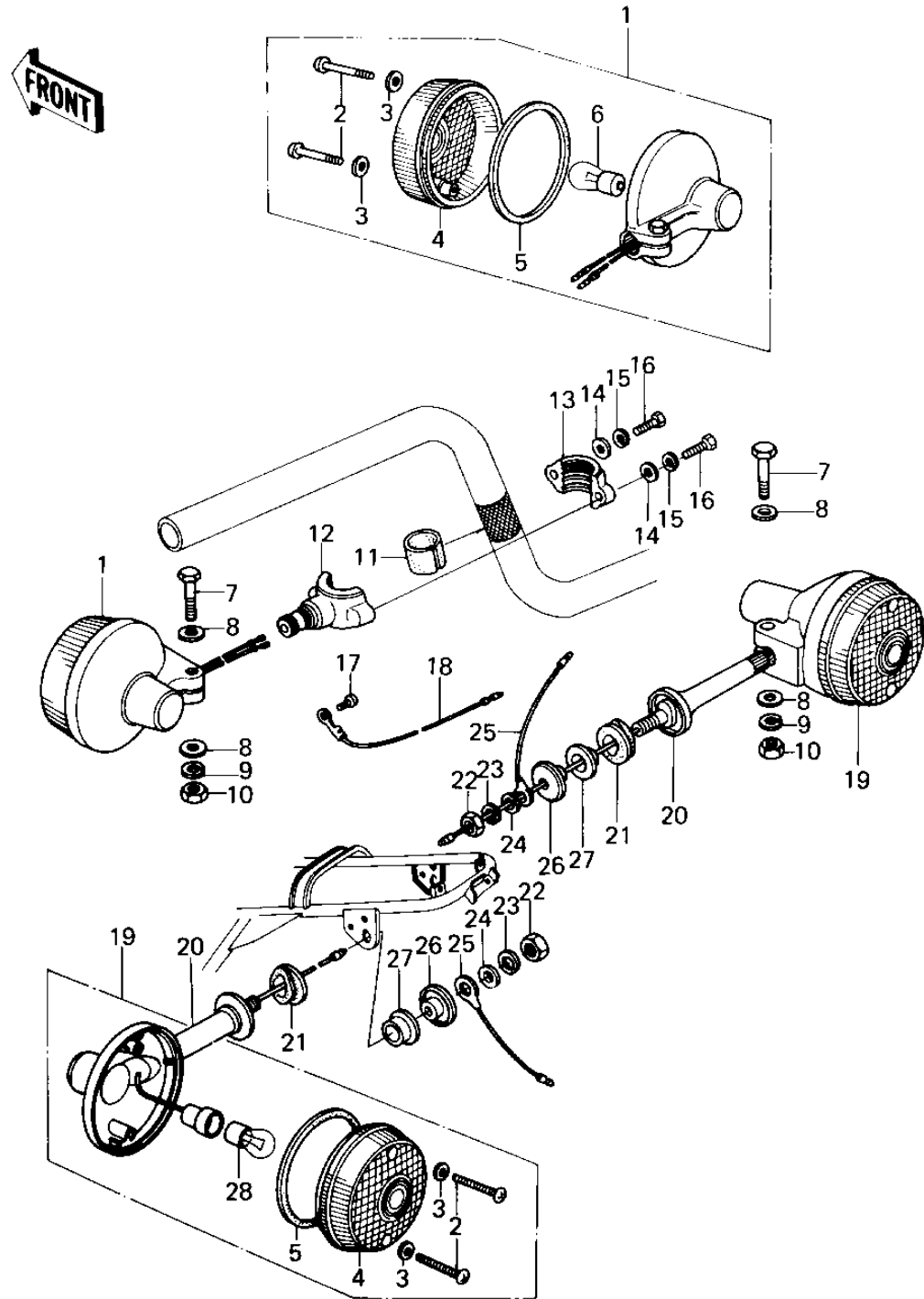


## 1979 SR PARTS DIAGRAM

TURN SIGNALS



## 1979 SR PARTS LIST

### TURN SIGNALS

ITEM NAME	PART NUMBER	QUANTITY
LAMP,FRNT,TURN SIGNAL (Ref # 1)	23040-1004	1
SCREW-PAN HEAD,4X20 (Ref # 2)	220E0420A	1
WASHER-PLAIN,4MM (Ref # 3)	23058-002	1
LENS,TURN SIGNAL LAMP (Ref # 4)	23048-1001	1
GASKET-SIG LAMP LENS (Ref # 5)	23050-003	1
BULB,12V 23/8W (Ref # 6)	92069-060	1
BOLT-UPSET (Ref # 7)	112G0630	1
WASHER PLAIN 6MM (Ref # 8)	411B0600	1
WASHER SPRING 6MM (Ref # 9)	461F0600	1
NUT 6MM (Ref # 10)	311B0600	1
DAMPER RUBBER (Ref # 11)	23066-003	1
BRACKET,FRNT TURN SIG (Ref # 12)	23051-1004	1
BRACKET,SIGNAL LAMP (Ref # 13)	23051-1013	1
WASHER-PLAIN,5MM (Ref # 14)	410D0500	1
WASHER SPRING 5MM (Ref # 15)	461F0500	1
BOLT (Ref # 16)	110N0516	1
SCREW PAN HEAD 3X5 (Ref # 17)	220B0305A	1
WIRE-TURN SIGNAL LEAD (Ref # 18)	26011-061	1
LAMP,TURN SIGNAL (Ref # 19)	23040-054	1
BRACKET,TURN SIGNAL.L (Ref # 20)	23051-053	1
DAMPER RUBBER (Ref # 21)	92075-128	1
NUT 10MM (Ref # 22)	315B1000	1
WASHER SPRING 10MM (Ref # 23)	461F1000	1
WASHER,PLAIN (Ref # 24)	92022-239	1
LEAD WIRE,SIGNAL LAMP (Ref # 25)	26011-063	1
COLLAR (Ref # 26)	92027-147	1
DAMPER RUBBER,SIG LM (Ref # 27)	92075-158	1
BULB 12V 32CP (Ref # 28)	92069-055	1