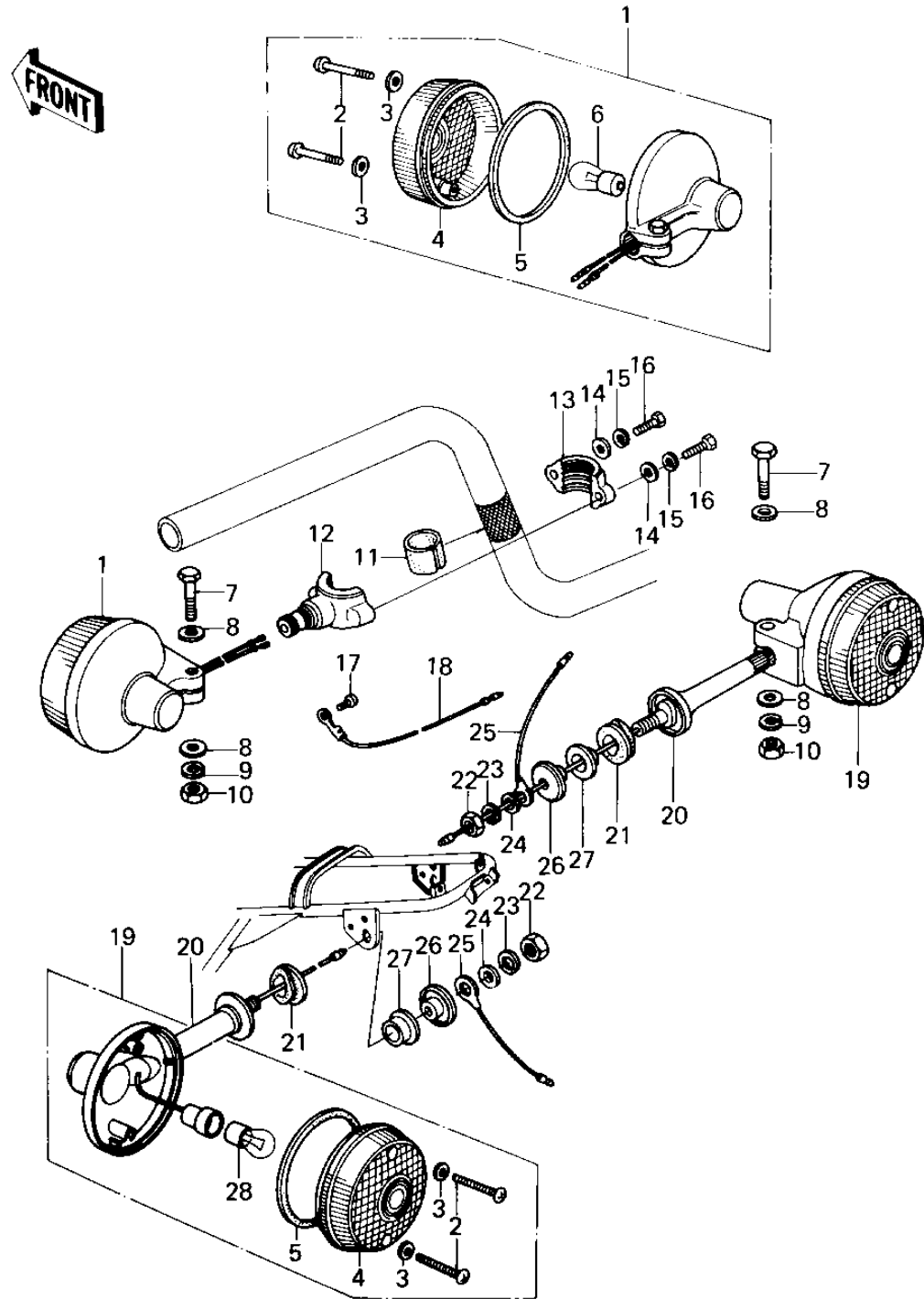


1978 SR PARTS DIAGRAM

TURN SIGNALS



1978 SR PARTS LIST

TURN SIGNALS

| ITEM NAME | PART NUMBER | QUANTITY |
|----------------------------------|-------------|----------|
| LAMP,FRNT,TURN SIGNAL (Ref # 1) | 23040-1004 | 1 |
| SCREW-PAN HEAD,4X20 (Ref # 2) | 220E0420A | 1 |
| WASHER-PLAIN,4MM (Ref # 3) | 23058-002 | 1 |
| LENS,TURN SIGNAL LAMP (Ref # 4) | 23048-1001 | 1 |
| GASKET-SIG LAMP LENS (Ref # 5) | 23050-003 | 1 |
| BULB,12V 23/8W (Ref # 6) | 92069-060 | 1 |
| BOLT-UPSET (Ref # 7) | 112G0630 | 1 |
| WASHER PLAIN 6MM (Ref # 8) | 411B0600 | 1 |
| WASHER SPRING 6MM (Ref # 9) | 461F0600 | 1 |
| NUT 6MM (Ref # 10) | 311B0600 | 1 |
| DAMPER RUBBER (Ref # 11) | 23066-003 | 1 |
| BRACKET,FRNT TURN SIG (Ref # 12) | 23051-1004 | 1 |
| BRACKET,SIGNAL LAMP (Ref # 13) | 23051-1013 | 1 |
| WASHER-PLAIN,5MM (Ref # 14) | 410D0500 | 1 |
| WASHER SPRING 5MM (Ref # 15) | 461F0500 | 1 |
| BOLT (Ref # 16) | 110N0516 | 1 |
| SCREW PAN HEAD 3X5 (Ref # 17) | 220B0305A | 1 |
| WIRE-TURN SIGNAL LEAD (Ref # 18) | 26011-061 | 1 |
| LAMP,TURN SIGNAL (Ref # 19) | 23040-054 | 1 |
| BRACKET,TURN SIGNAL.L (Ref # 20) | 23051-053 | 1 |
| DAMPER RUBBER (Ref # 21) | 92075-128 | 1 |
| NUT 10MM (Ref # 22) | 315B1000 | 1 |
| WASHER SPRING 10MM (Ref # 23) | 461F1000 | 1 |
| WASHER,PLAIN (Ref # 24) | 92022-239 | 1 |
| LEAD WIRE,SIGNAL LAMP (Ref # 25) | 26011-063 | 1 |
| COLLAR (Ref # 26) | 92027-147 | 1 |
| DAMPER RUBBER,SIG LM (Ref # 27) | 92075-158 | 1 |
| BULB 12V 32CP (Ref # 28) | 92069-055 | 1 |