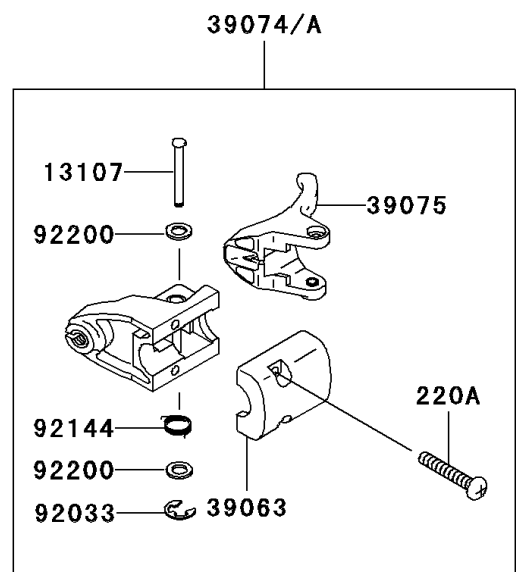
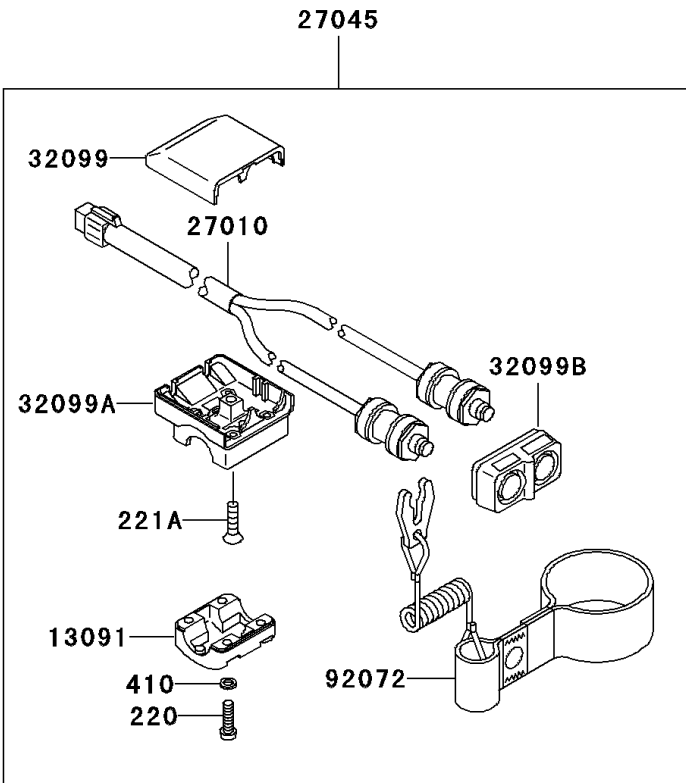
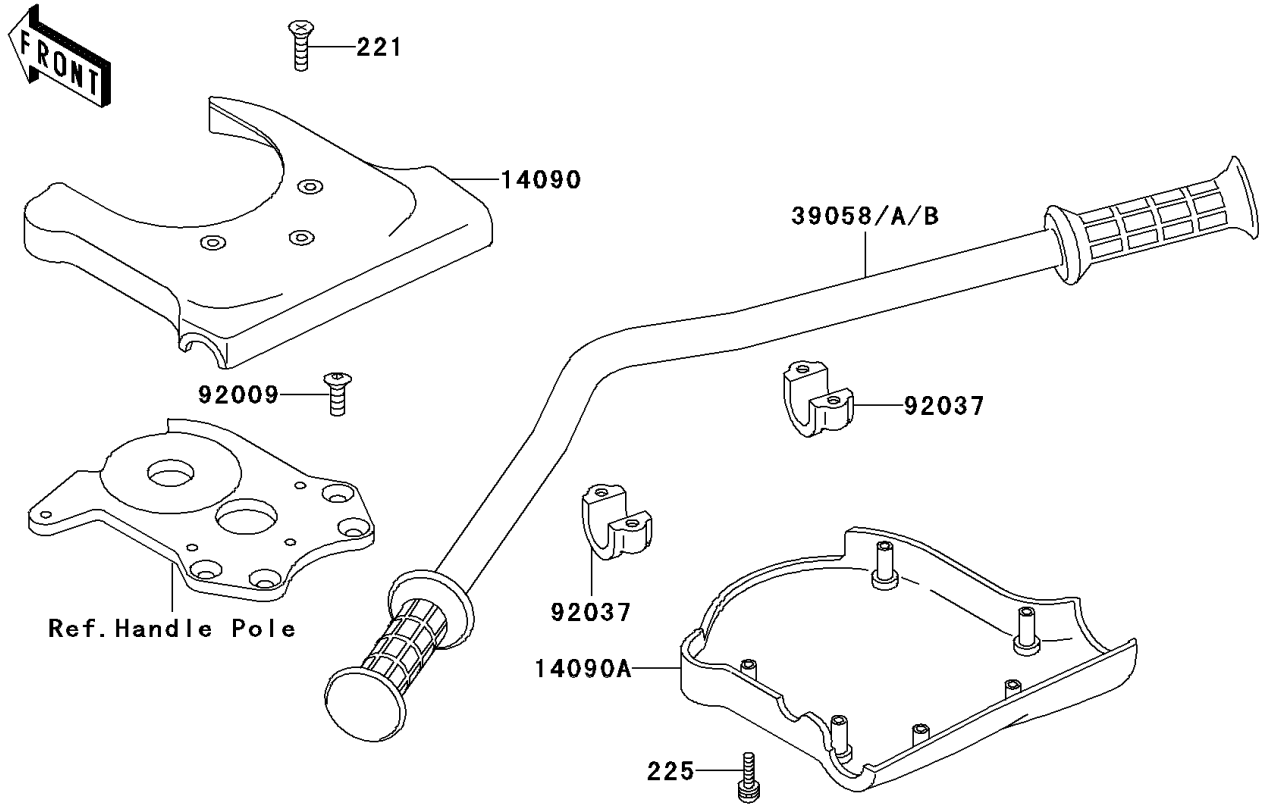


# 1999 SXI PRO PARTS DIAGRAM

Handlebar

F3172



# 1999 SXI PRO PARTS LIST

## Handlebar

ITEM NAME	PART NUMBER	QUANTITY
SCREW-PAN-CROS,5X20 (Ref # 220)	220R0520	4
SCREW-PAN-CROS (Ref # 220A)	220R0630	2
SCREW-CSK-CROS,6X16 (Ref # 221)	221R0616	3
SCREW-CSK-CROS,6X25 (Ref # 221A)	221R0625	1
SCREW-PAN-WSP-CROS,5X20 (Ref # 225)	225R0520	6
W-PLAIN-S,5MM (Ref # 410)	410S0500	4
HOLDER,SWITCH (Ref # 13091)	13091-3767	1
SHAFT (Ref # 13107)	13107-3740	1
COVER,HANDLE,UPP,BLACK (Ref # 14090)	14090-3766-MA	1
COVER,HANDLE,LWR,BLACK (Ref # 14090A)	14090-3767-MA	1
SWITCH,STOP&START (Ref # 27010)	27010-3732	1
SWITCH-ASSY,STOP&START (Ref # 27045)	27045-3706	1
CASE,UPP,SWITCH (Ref # 32099)	32099-3764	1
CASE,LWR,SWITCH (Ref # 32099A)	32099-3766	1
CASE,FR,SWITCH (Ref # 32099B)	32099-3809	1
HANDLE-COMP,GRAY (Ref # 39058)	39058-3713-RA	1
HOUSING-CONTROL (Ref # 39063)	39063-3720	1
LEVER-ASSY-THROTTLE (Ref # 39074)	39074-3717	1
LEVER-THROTTLE (Ref # 39075)	39075-3710	1
SCREW,8X22 (Ref # 92009)	92009-3701	4
RING-SNAP (Ref # 92033)	92033-3723	1
CLAMP,HANDLEBAR (Ref # 92037)	92037-503	2
BAND,TETHER SWITCH (Ref # 92072)	92072-3784	1
SPRING (Ref # 92144)	92144-3749	1
WASHER (Ref # 92200)	92200-3738	2