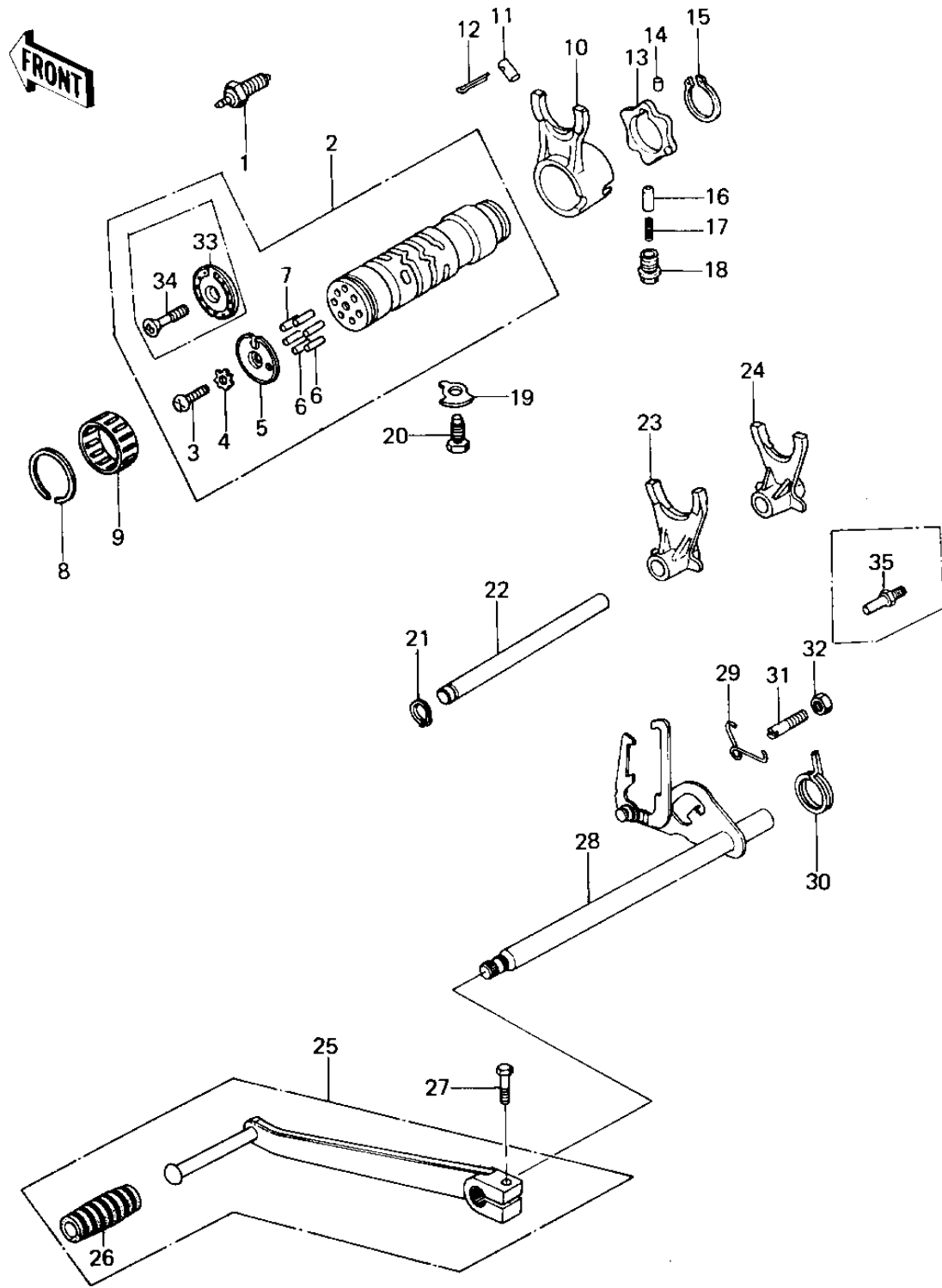


## 1979 SR PARTS DIAGRAM GEAR CHANGE MECHANISM



## 1979 SR PARTS LIST

### GEAR CHANGE MECHANISM

ITEM NAME	PART NUMBER	QUANTITY
SWITCH,NEUTRAL (Ref # 1)	13151-5002	1
DRUM-ASSY-CHANGE (Ref # 2)	13239-1069	2
SCREW PAN HEAD 6X14 (Ref # 3)	220B0614	1
WASHER LOCK 6MM (Ref # 4)	464G0600	1
PLATE,SHIFT DRUM PIN (Ref # 5)	13142-020	1
PIN,GEAR CHNGE DRUM (Ref # 6)	92042-030	1
PIN GEAR CHANGE DRUM (Ref # 7)	92042-014	1
CIRCLIP,37MM (Ref # 8)	92033-035	1
BRG,NEDL,37BTM4312 (Ref # 9)	92046-051	1
SHIFT FORK,4TH & TOP (Ref # 10)	13140-1009	1
DOWEL PIN,8X18 (Ref # 11)	92042-021	1
PIN COTTER 3.0X20 (Ref # 12)	550D3020	1
CAM-CHANGE DRUM (Ref # 13)	13145-1058	1
PIN-DOWEL,4X6 (Ref # 14)	610A0406	1
CIRCLIP,30MM (Ref # 15)	480J3000	1
PIN-NEUTRAL POSITION (Ref # 16)	92043-076	1
SPRING (Ref # 17)	92081-112	1
BOLT,10MM (Ref # 18)	92001-131	1
WASHER,LOCK,10MM (Ref # 19)	92024-074	1
BOLT,HEX HEAD,10X26 (Ref # 20)	92001-174	1
CIRCLIP 12MM (Ref # 21)	480J1200	1
ROD-SHIFT (Ref # 22)	49047-5003	1
SHIFT FORK,LOW,2&3RD (Ref # 23)	13140-1008	2
PEDAL ASSY,GEAR SHIFT (Ref # 25)	13242-022	1
DAMPER,CHANGE PEDAL (Ref # 26)	92160-1036	1
BOLT-UPSET,6X20 (Ref # 27)	112G0620	1
LEVER ASSY,GEAR SFT (Ref # 28)	13161-042	1
SPRING,KICK PAWL (Ref # 29)	92083-018	1
SPRING,CHG PEDL RTRN (Ref # 30)	92083-028	1

## 1979 SR PARTS LIST

### GEAR CHANGE MECHANISM

ITEM NAME	PART NUMBER	QUANTITY
PIN CHANGE PEDAL SPRG (Ref # 31)	92043-057	1
NUT 8MM (Ref # 32)	312B0800	1
HOLDER,CHANGE DRUM PI (Ref # 33)	13091-1104	1
SCREW CNTSNK HD 6X20 (Ref # 34)	221B0620	1
BOLT,RETURN SPRING (Ref # 35)	92001-1401	1