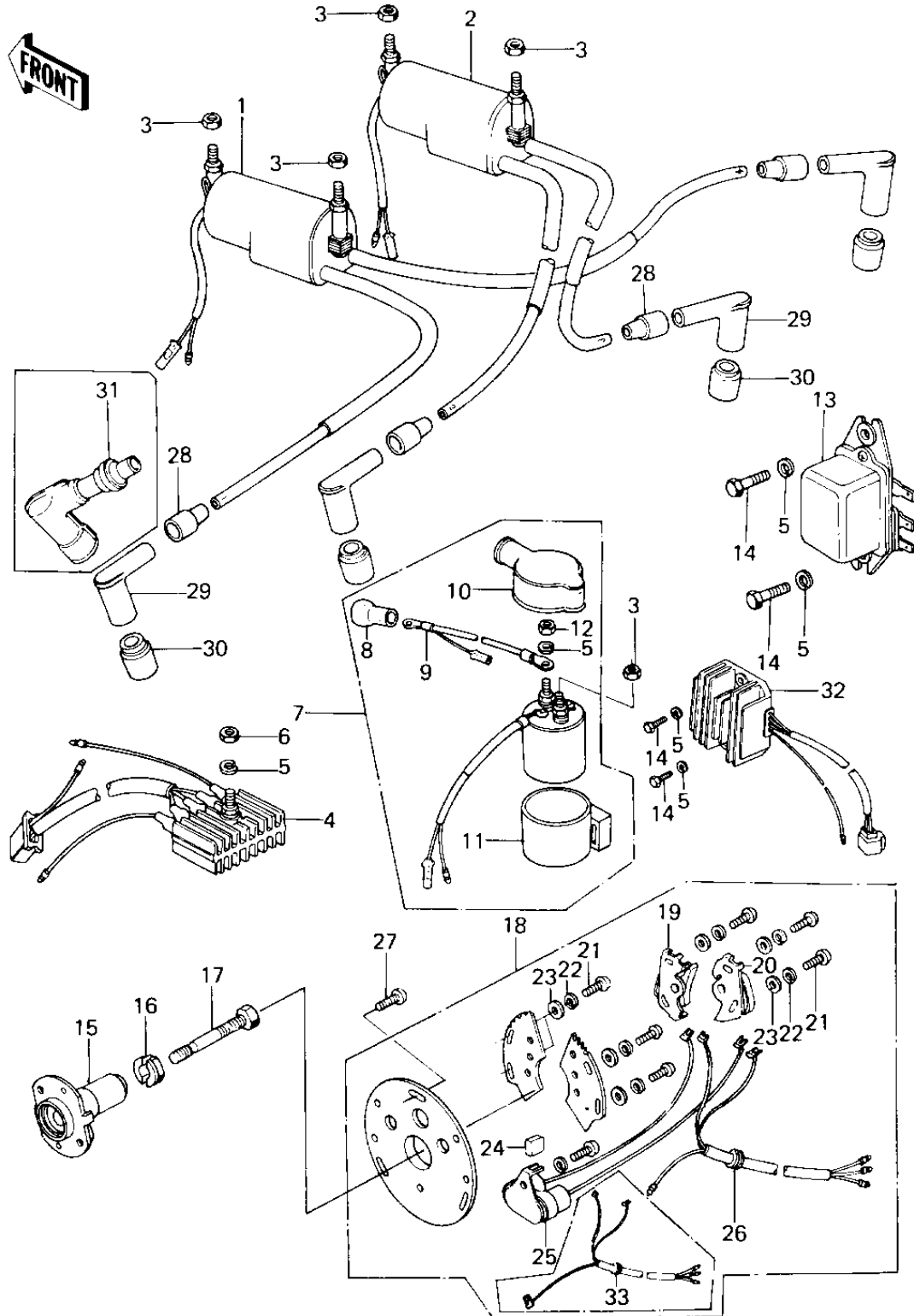


# 1978 Custom PARTS DIAGRAM

IGNITION/REGULATOR/RECTIFIER



# 1978 Custom PARTS LIST

## IGNITION/REGULATOR/RECTIFIER

ITEM NAME	PART NUMBER	QUANTITY
UNAVAILABLE IN PRICE BOOK (Ref # 1)	21121 088	1
UNAVAILABLE IN PRICE BOOK (Ref # 1)	21121 1001	1
UNAVAILABLE IN PRICE BOOK (Ref # 2)	21121 089	1
UNAVAILABLE IN PRICE BOOK (Ref # 2)	21121 1002	1
UNAVAILABLE IN PRICE BOOK (Ref # 3)	92017 014	1
UNAVAILABLE IN PRICE BOOK (Ref # 4)	21061 031	1
WASHER SPRING 6MM (Ref # 5)	461F0600	1
NUT 6MM (Ref # 6)	311B0600	1
UNAVAILABLE IN PRICE BOOK (Ref # 7)	21164 007	1
UNAVAILABLE IN PRICE BOOK (Ref # 8)	21017 023	1
UNAVAILABLE IN PRICE BOOK (Ref # 9)	21095 009	1
UNAVAILABLE IN PRICE BOOK (Ref # 10)	21141 004	1
UNAVAILABLE IN PRICE BOOK (Ref # 11)	21064 002	1
NUT 6MM (Ref # 12)	312B0600	1
UNAVAILABLE IN PRICE BOOK (Ref # 13)	21066 018	1
BOLT-UPSET (Ref # 14)	112G0618	1
BOLT-UPSET,6X16 (Ref # 14)	112G0616	1
ADVANCER, AUTOMATIC TIMING (Ref # 15)	21148 011	1
WASHER, SPARK ADVANCER (Ref # 16)	92022 224	1
BOLT-8X63 (Ref # 17)	92001-1397	1
BREAKER, ASSY, CONTACT (Ref # 18)	21135-012	1
BREAKER, ASSY, CONTACT (Ref # 18)	21008-1007	1
BREAKER CONTACT, #2, 3, RH (Ref # 19)	21008 028	1
BREAKER CONTACT, #1, 4, LH (Ref # 20)	21008 027	1
SCREW PAN HEAD 4X8 (Ref # 21)	220B0408	1
WASHER SPRING 4MM (Ref # 22)	461F0400	1
WASHER PLAIN 4MM (Ref # 23)	410B0400	1
FELT OIL (Ref # 24)	21019 005	1
CONDENSOR (Ref # 25)	21013 037	1

## 1978 Custom PARTS LIST

### IGNITION/REGULATOR/RECTIFIER

ITEM NAME	PART NUMBER	QUANTITY
WIRING HARNESS, BREAKER (Ref # 26)	21029 038	1
SCREW PAN HEAD 5X12 (Ref # 27)	220B0512	1
GROMMET B, SPARK PLUG CAP (Ref # 28)	21132 005	1
CAP, SPARK PLUG (Ref # 29)	21130 024	1
GROMMET A, SPARK PLUG CAP (Ref # 30)	21131 004	1
CAP,SPARK PLUG (Ref # 31)	21160-005	1
REGULATOR (Ref # 32)	21066-029	1
WIRING HARNESS,BREAK (Ref # 33)	26001-1081	1