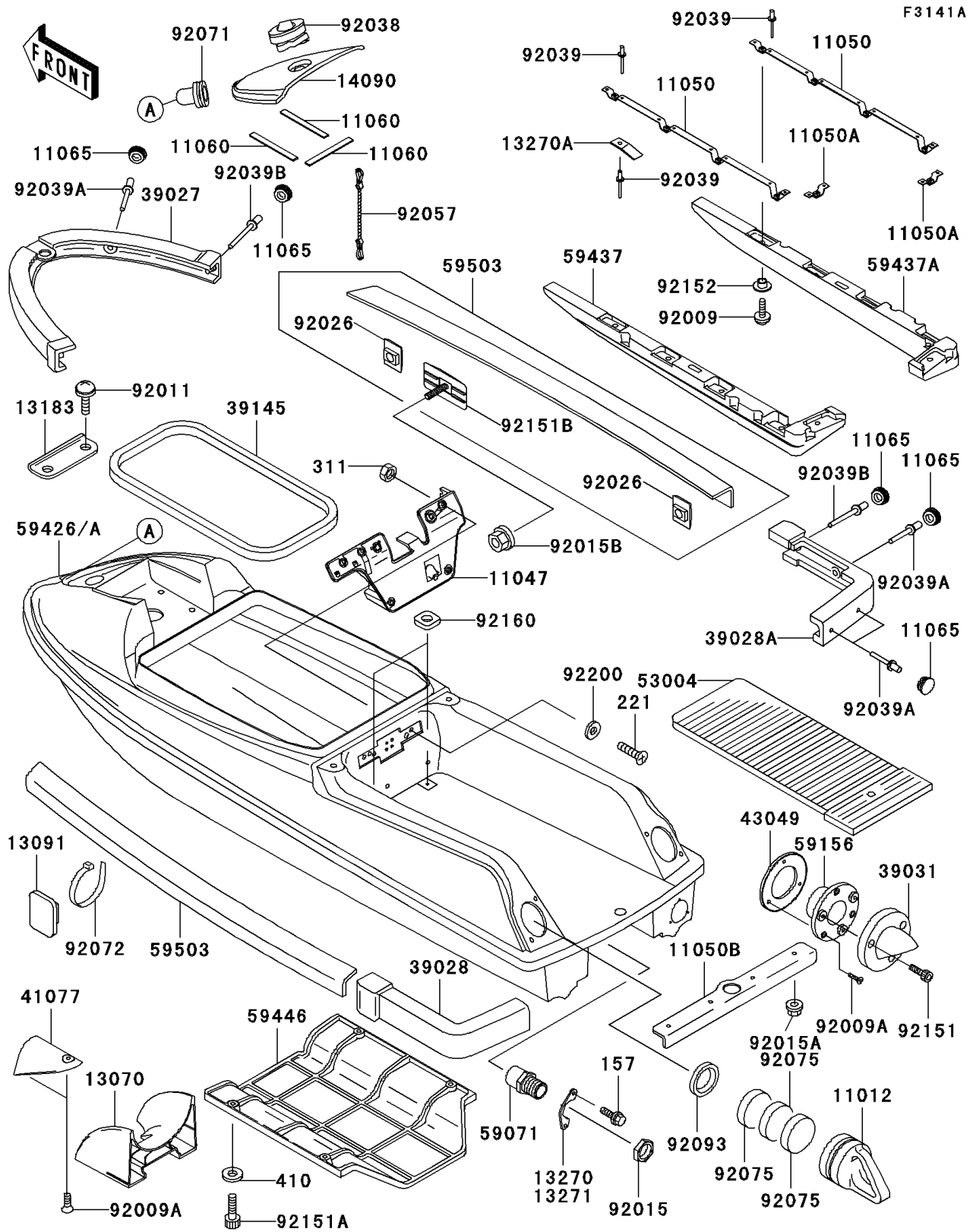


2002 SXI PRO PARTS DIAGRAM

Hull(JS750-C2-C5)



2002 SXI PRO PARTS LIST

Hull(JS750-C2-C5)

ITEM NAME	PART NUMBER	QUANTITY
CAP,F.BLACK (Ref # 11012)	11012-3752-6Z	2
BRACKET,CONTROL KNOB (Ref # 11047)	11047-3745	1
BRACKET,STABILIZER (Ref # 11050)	11050-3730	2
BRACKET,STABILIZER (Ref # 11050A)	11050-3731	2
BRACKET (Ref # 11050B)	11050-3752	1
GASKET (Ref # 11060)	11060-3722	3
CAP,F.BLACK (Ref # 11065)	11065-3707-6Z	12
GUIDE,INTAKE (Ref # 13070)	13070-3708	1
HOLDER,BAND (Ref # 13091)	13091-3764	8
PLATE (Ref # 13183)	13183-3787	1
PLATE (Ref # 13270A)	13270-3906	2
PLATE (Ref # 13271)	13271-3789	1
COVER,TANK CAP,BLACK MICA (Ref # 14090)	14090-3707-5M	1
BUMPER-FRONT,F.BLACK (Ref # 39027)	39027-3740-6Z	1
BUMPER-REAR,LH,F.BLACK (Ref # 39028)	39028-3750-6Z	1
BUMPER-REAR,RH,F.BLACK (Ref # 39028A)	39028-3751-6Z	1
CAP-END (Ref # 39031)	39031-3705	1
TRIM-SEAL (Ref # 39145)	39145-3731	1
ADAPTER (Ref # 41077)	41077-3701	1
PACKING,TCV25X45X11 (Ref # 43049)	43049-3717	1
MAT,DECK (Ref # 53004)	53004-3801	1
JOINT (Ref # 59071)	59071-3763	1
PIPE-TAIL (Ref # 59156)	59156-3722	1
STABILIZER,LH,J.WHITE (Ref # 59437)	59437-3715-8U	1
STABILIZER,RH,J.WHITE (Ref # 59437A)	59437-3716-8U	1
COVER-JET PUMP (Ref # 59446)	59446-3748	1
FENDER-BOAT,F.BLACK (Ref # 59503)	59503-3705-6Z	2
SCREW,6X15 (Ref # 92009)	92009-3830	10
SCREW,TAPPING,6X20 (Ref # 92009A)	92009-3842	5

2002 SXI PRO PARTS LIST

Hull(JS750-C2-C5)

ITEM NAME	PART NUMBER	QUANTITY
SCREW,TAPPING (Ref # 92011)	92011-561	2
NUT,20MM (Ref # 92015)	92015-3738	1
NUT,6MM (Ref # 92015A)	92015-3767	4
NUT,FLANGED,5MM (Ref # 92015B)	92015-3768	8
SPACER (Ref # 92026)	92026-3740	4
KEY,TANK CAP (Ref # 92038)	92038-3707	1
BOLT-WSP,5X18 (Ref # 157)	157R0518	2
SCREW-CSK-CROS,6X20 (Ref # 221)	221R0620	5
NUT-HEX,6MM (Ref # 311)	311R0600	5
WASHER-PLAIN-SMALL,6MM (Ref # 410)	410S0600	4
RIVET (Ref # 92039)	92039-3714	22
RIVET (Ref # 92039A)	92039-3747	8
RIVET (Ref # 92039B)	92039-3770	4
CHAIN,COVER,L=100 (Ref # 92057)	92057-3704	1
GROMMET (Ref # 92071)	92071-3780	1
BAND,L=148 (Ref # 92072)	92072-3768	8
DAMPER (Ref # 92075)	92075-3719	6
SEAL,OSR70X82X7.5 (Ref # 92093)	92093-3704	2
BOLT,SOCKET,M6,SHOULDER (Ref # 92151)	92151-3746	3
BOLT,SOCKET,6X20 (Ref # 92151A)	92151-3774	4
BOLT (Ref # 92151B)	92151-3778	8
COLLAR (Ref # 92152)	92152-3704	10
DAMPER (Ref # 92160)	92160-3797	2
WASHER (Ref # 92200)	92200-3720	5
HULL-COMP,J.WHITE (Ref # 59426)	59426-3897-22	1