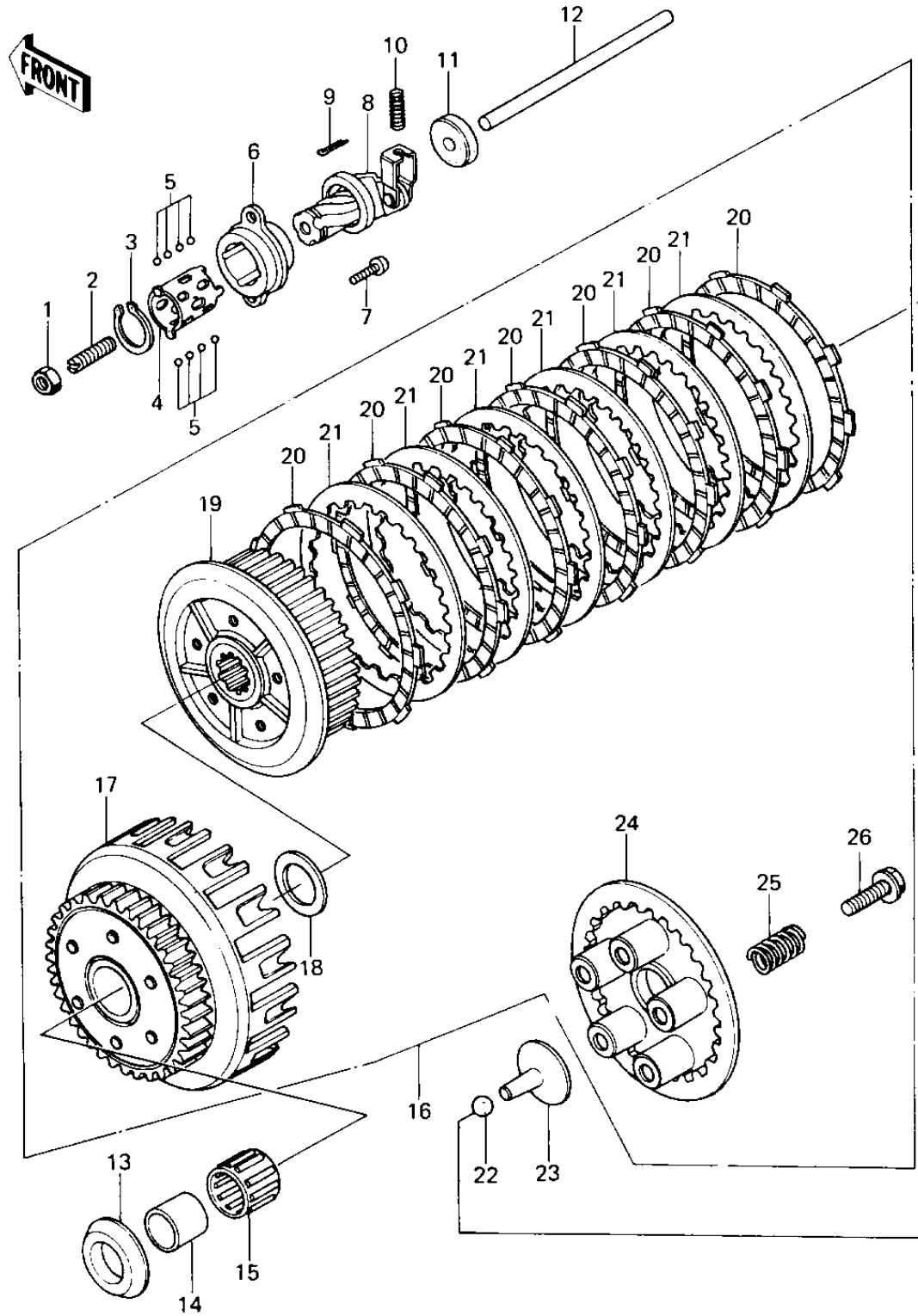


# 1978 Custom PARTS DIAGRAM

## CLUTCH



# 1978 Custom PARTS LIST

## CLUTCH

ITEM NAME	PART NUMBER	QUANTITY
UNAVAILABLE IN PRICE BOOK (Ref # 1)	31880800	2
SCREW,SLOTTED,8X25 (Ref # 2)	92014-014	2
CIRCLIP 15MM (Ref # 3)	480J1500	2
RETAINER (Ref # 4)	13197-004	2
BALL,STEEL,1/8" (Ref # 5)	600A0400	2
OUTER,CLUTCH RELEASE (Ref # 6)	13118-011	2
SCREW PAN HEAD 6X16 (Ref # 7)	220B0616	2
INNER,CLUTCH RELEASE (Ref # 8)	13102-027	2
PIN COTTER 1.6X15 (Ref # 9)	550D1615	2
SPRING-CLUTCH RELEAS (Ref # 10)	92081-069	2
OIL SEAL,TC7187 (Ref # 11)	92050-048	2
ROD,CLUTCH PUSH (Ref # 12)	13116-035	2
SPACER,THRUST,T=5.5M (Ref # 13)	92026-116	2
BUSHING,CLUTCH (Ref # 14)	92028-178	2
BEARING,KTV323723 (Ref # 15)	92046-028	2
CLUTCH-ASSY (Ref # 16)	13081-1043	2
CLUTCH-ASSY (Ref # 16)	13081-1043	2
HOUSING,CLUTCH (Ref # 17)	13095-1022	2
HOUSING,CLUTCH (Ref # 17)	13095-1022	2
WASHER TH 25.5X47X2. (Ref # 18)	92026-022	2
HUB,CLUTCH (Ref # 19)	13087-043	2
PLATE,CLUTCH FRICTION (Ref # 20)	13088-030	2
PLATE,CLUTCH STEEL (Ref # 21)	13089-022	2
BALL STEEL 3/8" (Ref # 22)	600A1200	2
PUSHER,CLUTCH SPRG P (Ref # 23)	13116-022	2
PLATE,CLUTCH SPRING (Ref # 24)	13187-006	2
SPRING,CLUTCH (Ref # 25)	92081-1033	2
SPRING,CLUTCH (Ref # 25)	92081-1033	2
BOLT,CLUTCH SPR FITT (Ref # 26)	92001-1066	2