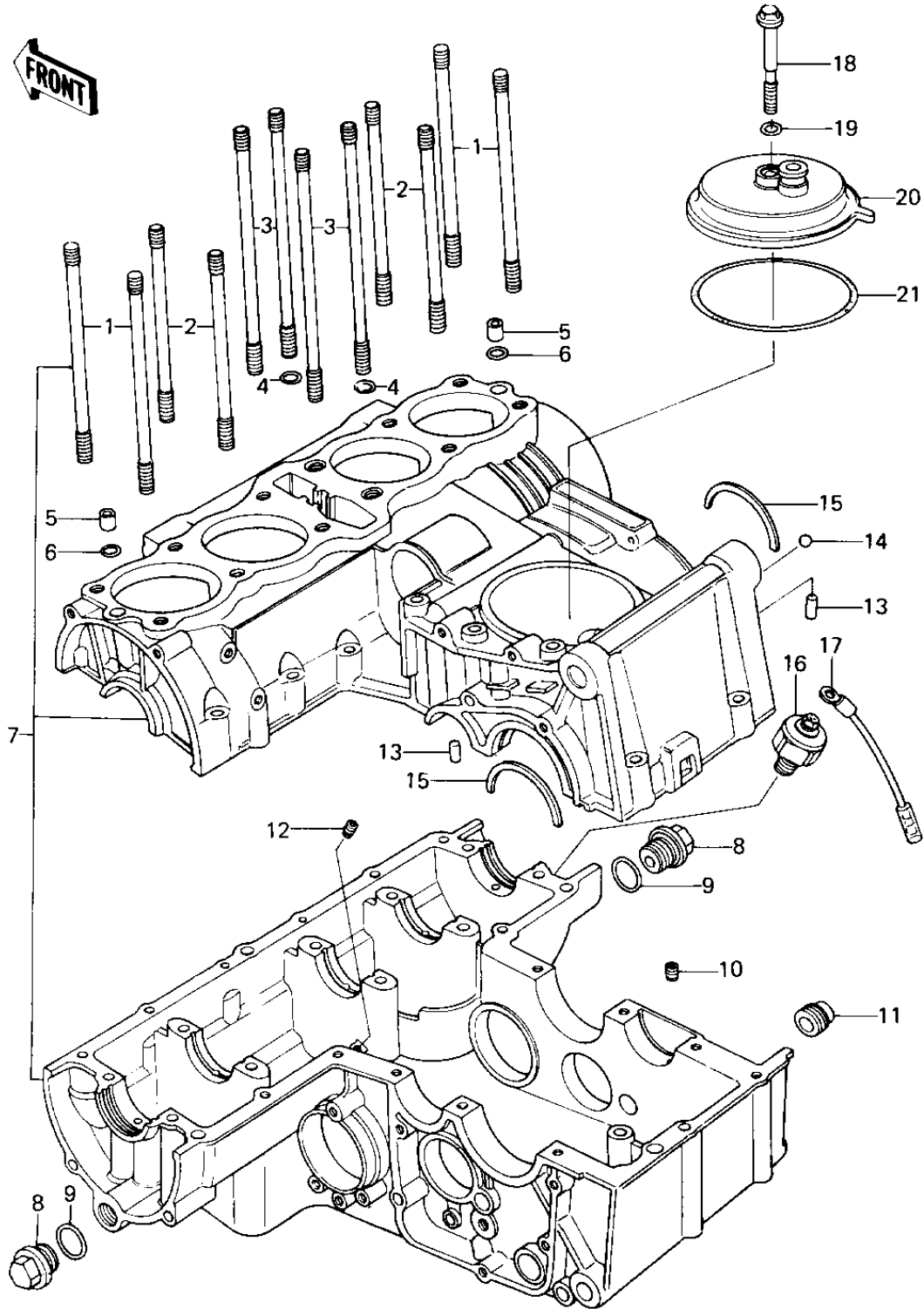


1979 Custom PARTS DIAGRAM

CRANKCASE/BREATHER COVER



1979 Custom PARTS LIST

CRANKCASE/BREATHER COVER

ITEM NAME	PART NUMBER	QUANTITY
STUD,10X133 (Ref # 1)	92004-1004	2
STUD,10X116 (Ref # 2)	92004-1007	2
STUD,10X153 (Ref # 3)	92004-062	1
"O" RING,8.8MM (Ref # 4)	92055-099	1
NOZZLE (Ref # 5)	92062-016	1
O RING (Ref # 6)	670D2010	1
CRANKCASE ASSY (Ref # 7)	14001-101	1
CRANKCASE SET (Ref # 7)	14001-5046	1
PLUG (Ref # 8)	92066-066	1
RING-O (Ref # 9)	92055-1146	1
NOZZLE (Ref # 10)	92062-015	1
NOZZLE (Ref # 11)	92062-014	1
NOZZLE,OIL BIAS (Ref # 12)	92062-011	1
PIN DOWEL 6MM (Ref # 13)	92042-016	1
PLUG (Ref # 14)	92066-057	1
RING BEARING SETTING (Ref # 15)	14013-004	1
SWITCH ASY,OIL PRSSU (Ref # 16)	16144-006	1
WIRE,LEAD,OIL SWITCH (Ref # 17)	26011-1011	2
BOLT,HEX HEAD,8X72 (Ref # 18)	92003-107	1
"O" RING,8MM (Ref # 19)	670B1508	1
BODY-BREATHER (Ref # 20)	14070-1008	1
"O" RING,91MM (Ref # 21)	92055-052	1