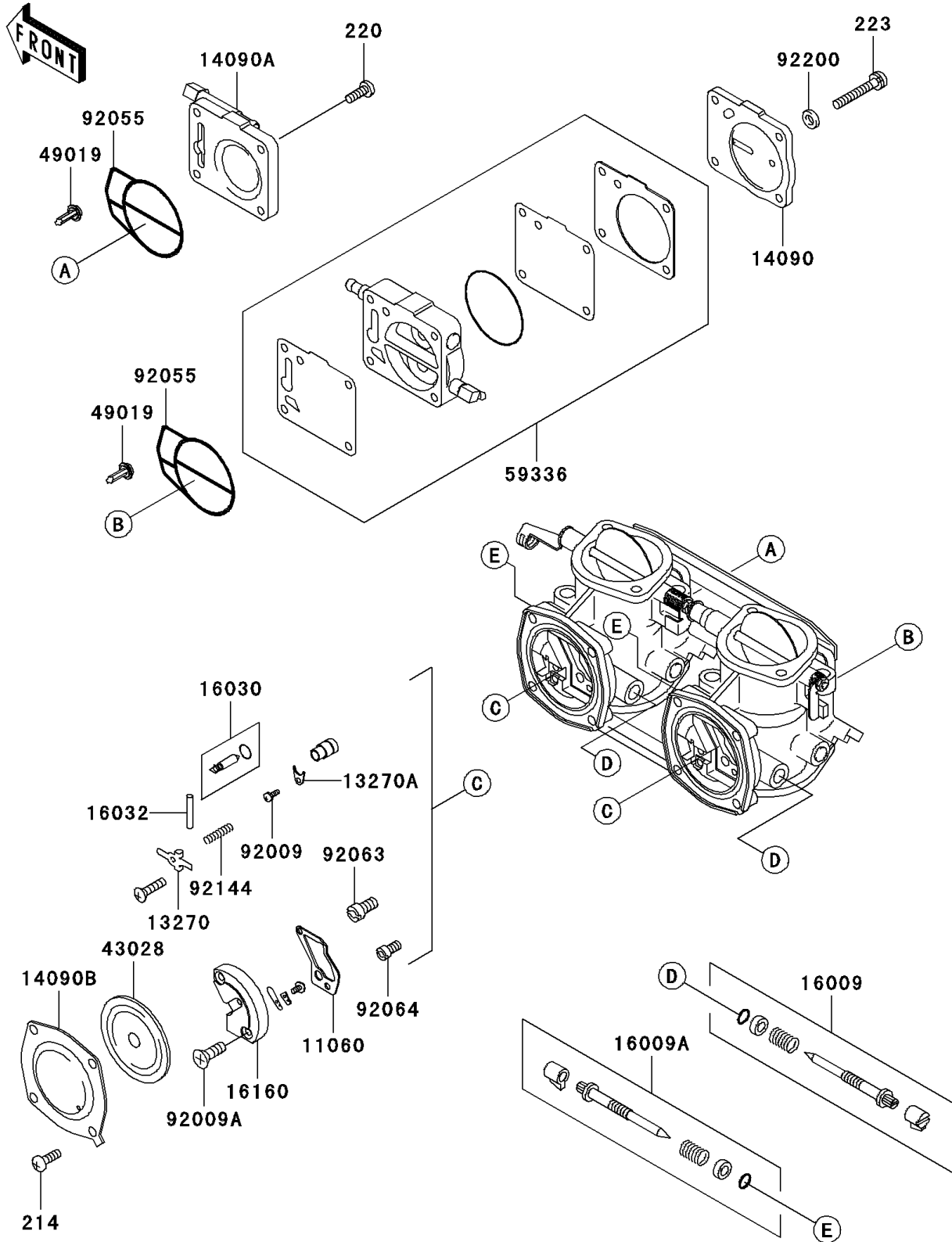


1999 SXI PRO PARTS DIAGRAM

Carburetor Parts

E1612



1999 SXI PRO PARTS LIST

Carburetor Parts

| ITEM NAME | PART NUMBER | QUANTITY |
|-----------------------------------|-------------|----------|
| SCREW-PAN+- (Ref # 214) | 214R0510 | 8 |
| SCREW-PAN-CROS (Ref # 220) | 220R0516 | 4 |
| SCREW-PAN-WS-CROS (Ref # 223) | 223R0535 | 4 |
| GASKET (Ref # 11060) | 11060-3774 | 2 |
| PLATE (Ref # 13270) | 13270-3828 | 2 |
| PLATE (Ref # 13270A) | 13270-3829 | 2 |
| COVER (Ref # 14090) | 14090-3783 | 1 |
| COVER (Ref # 14090A) | 14090-3784 | 1 |
| COVER (Ref # 14090B) | 14090-3785 | 2 |
| NEEDLE-JET,SLOW (Ref # 16009) | 16009-3717 | 2 |
| NEEDLE-JET,MAIN (Ref # 16009A) | 16009-3718 | 2 |
| VALVE-FLOAT (Ref # 16030) | 16030-3703 | 2 |
| PIN,FLOAT (Ref # 16032) | 16032-006 | 2 |
| BODY (Ref # 16160) | 16160-3737 | 2 |
| DIAPHRAGM (Ref # 43028) | 43028-3709 | 2 |
| FILTER-FUEL (Ref # 49019) | 49019-3713 | 2 |
| CASE-PUMP,DIAPHRAGM (Ref # 59336) | 59336-3712 | 1 |
| SCREW,3X7 (Ref # 92009) | 92009-3821 | 2 |
| SCREW,4X14 (Ref # 92009A) | 92009-3822 | 4 |
| RING-O (Ref # 92055) | 92055-3745 | 2 |
| JET-MAIN,#147.5 (Ref # 92063) | 92063-3715 | 2 |
| JET-PILOT,#67.5 (Ref # 92064) | 92064-3701 | 2 |
| SPRING (Ref # 92144) | 92144-3756 | 2 |
| WASHER,5.3X10X1.0 (Ref # 92200) | 92200-3745 | 4 |