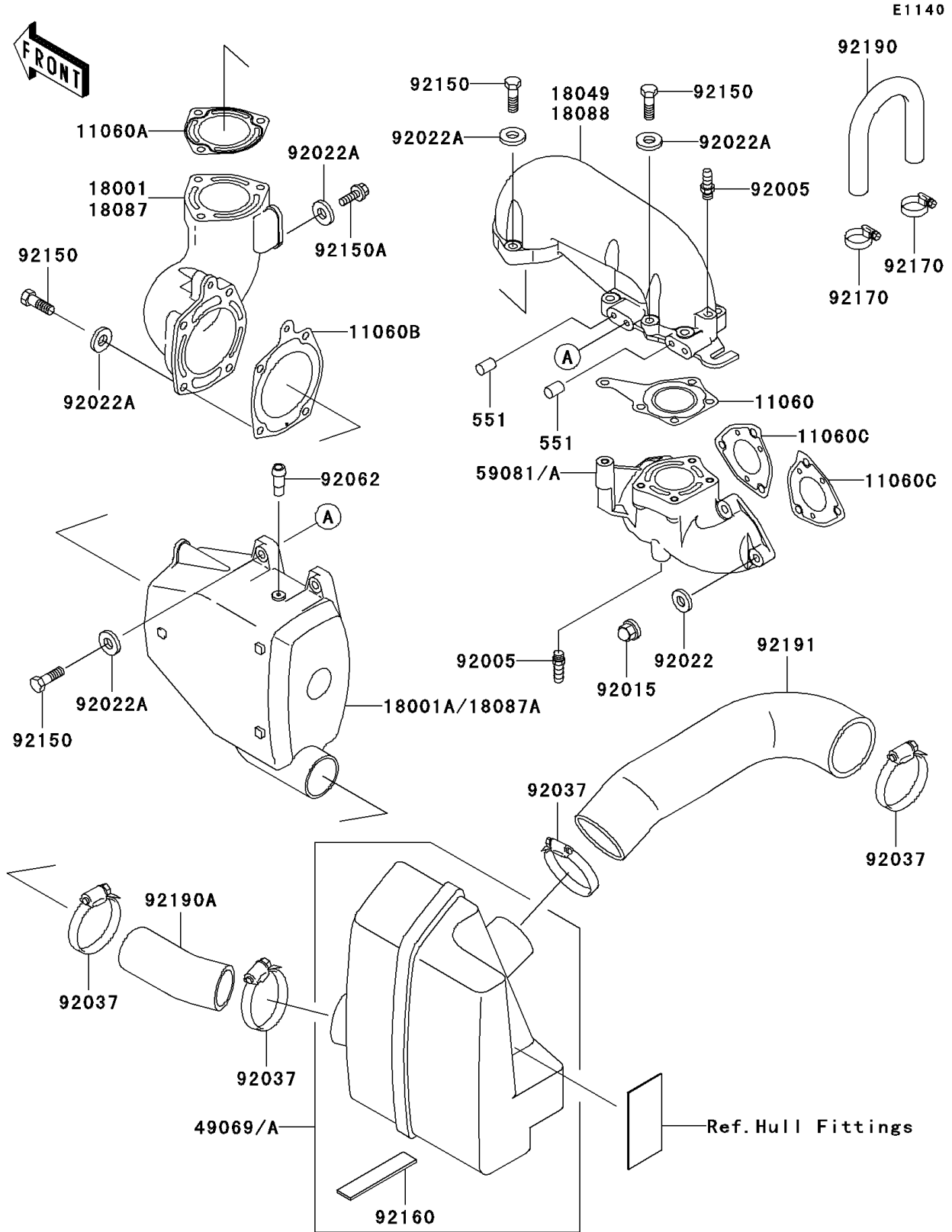


2000 SXI PRO PARTS DIAGRAM

Muffler(s)



2000 SXI PRO PARTS LIST

Muffler(s)

| ITEM NAME | PART NUMBER | QUANTITY |
|---|-------------|----------|
| PIN-DOWEL (Ref # 551) | 551R0812 | 2 |
| GASKET,EXHAUST (Ref # 11060) | 11060-3712 | 1 |
| GASKET,MUFFLER,FR (Ref # 11060A) | 11060-3713 | 1 |
| GASKET,MUFFLER CHAMBER (Ref # 11060B) | 11060-3714 | 1 |
| GASKET,EXHAUST MANIFOLD (Ref # 11060C) | 11060-3759 | 2 |
| MUFFLER,FR (Ref # 18001) | 18001-3764 | 1 |
| MUFFLER (Ref # 18001A) | 18001-3768 | 1 |
| PIPE-EXHAUST (Ref # 18049) | 18049-3762 | 1 |
| MUFFLER-ASSY,WATER (Ref # 49069A) | 49069-3706 | 1 |
| MANIFOLD-EXHAUST (Ref # 59081) | 59081-3723 | 1 |
| FITTING,HOSE (Ref # 92005) | 92005-3712 | 2 |
| NUT,CAP,8MM (Ref # 92015) | 92015-1371 | 6 |
| WASHER,8.2X18X1.5 (Ref # 92022) | 92022-1964 | 6 |
| WASHER,8.2X18X1.5 (Ref # 92022A) | 92022-3743 | 16 |
| CLAMP (Ref # 92037) | 92037-3009 | 4 |
| NOZZLE (Ref # 92062) | 92062-3705 | 1 |
| BOLT,8X35 (Ref # 92150) | 92150-3833 | 14 |
| BOLT,8X16 (Ref # 92150A) | 92150-3846 | 2 |
| DAMPER (Ref # 92160) | 92160-3793 | 1 |
| CLAMP (Ref # 92170) | 92170-3718 | 2 |
| TUBE,HEAD-EXHAUST PIPE (Ref # 92190) | 92190-3829 | 1 |
| TUBE,CHAMBER-WATER MUFFLER (Ref # 92190A) | 92190-3919 | 1 |
| TUBE,WATER MUFFLER-BULKHEAD (Ref # 92191) | 92191-3721 | 1 |