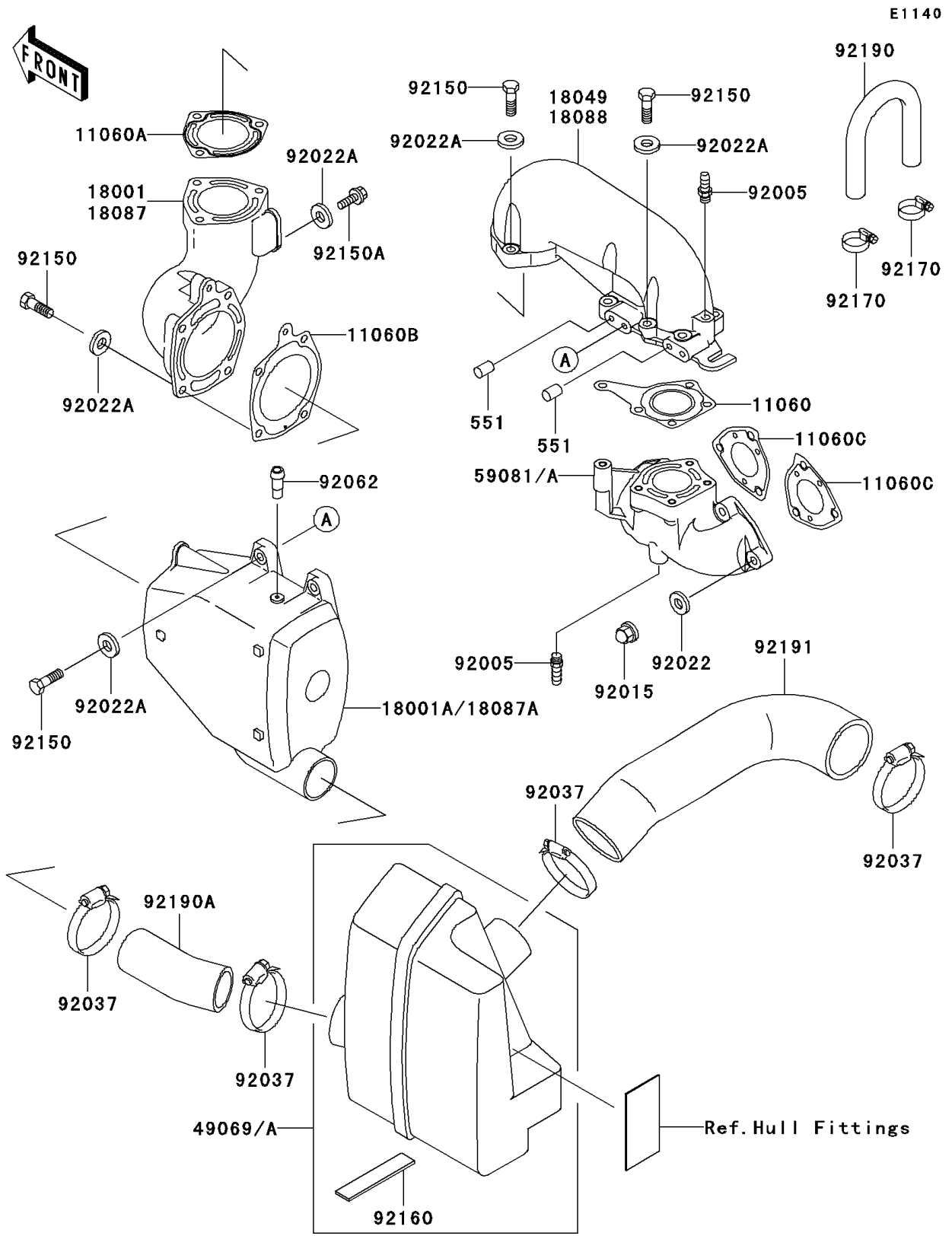


1999 SXI PRO PARTS DIAGRAM

Muffler(s)



1999 SXI PRO PARTS LIST

Muffler(s)

ITEM NAME	PART NUMBER	QUANTITY
PIN-DOWEL (Ref # 551)	551R0812	2
GASKET,EXHAUST (Ref # 11060)	11060-3712	1
GASKET,MUFFLER,FR (Ref # 11060A)	11060-3713	1
GASKET,MUFFLER CHAMBER (Ref # 11060B)	11060-3714	1
GASKET,EXHAUST MANIFOLD (Ref # 11060C)	11060-3759	2
MUFFLER,FR (Ref # 18001)	18001-3764	1
MUFFLER (Ref # 18001A)	18001-3768	1
PIPE-EXHAUST (Ref # 18049)	18049-3762	1
MUFFLER-ASSY,WATER (Ref # 49069A)	49069-3706	1
MANIFOLD-EXHAUST (Ref # 59081)	59081-3723	1
FITTING,HOSE (Ref # 92005)	92005-3712	2
NUT,CAP,8MM (Ref # 92015)	92015-1371	6
WASHER,8.2X18X1.5 (Ref # 92022)	92022-1964	6
WASHER,8.2X18X1.5 (Ref # 92022A)	92022-3743	16
CLAMP (Ref # 92037)	92037-3009	4
NOZZLE (Ref # 92062)	92062-3705	1
BOLT,8X35 (Ref # 92150)	92150-3833	14
BOLT,8X16 (Ref # 92150A)	92150-3846	2
DAMPER (Ref # 92160)	92160-3793	1
CLAMP (Ref # 92170)	92170-3718	2
TUBE,HEAD-EXHAUST PIPE (Ref # 92190)	92190-3829	1
TUBE,CHAMBER-WATER MUFFLER (Ref # 92190A)	92190-3919	1
TUBE,WATER MUFFLER-BULKHEAD (Ref # 92191)	92191-3721	1