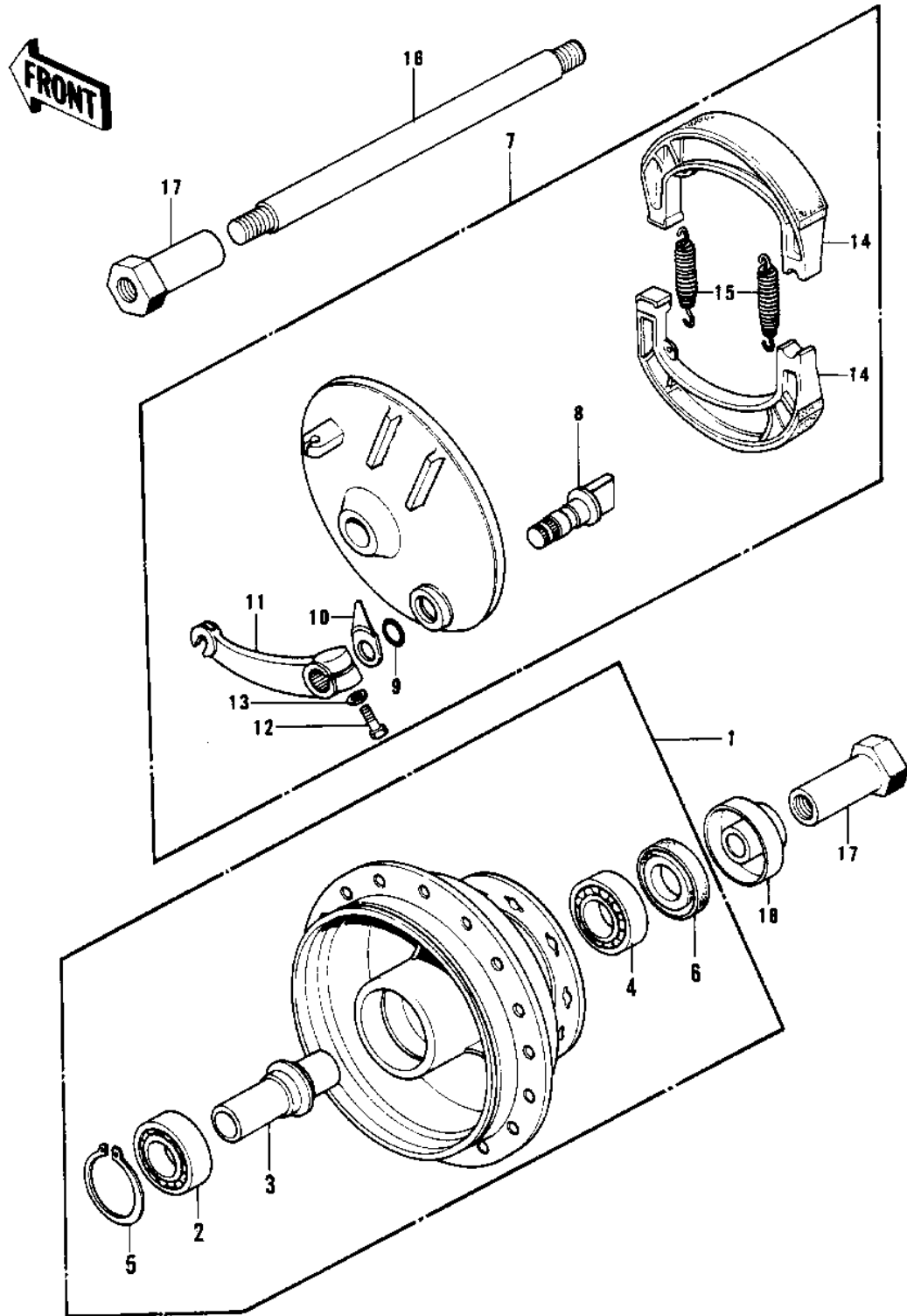


1976 KX400-A2 PARTS DIAGRAM

FRONT HUB/BRAKE



1976 KX400-A2 PARTS LIST

FRONT HUB/BRAKE

ITEM NAME	PART NUMBER	QUANTITY
DRUM-ASSY,FR BRK,BLK (Ref # 1)	41034-034-21	
DRUM-ASSY,FR BRK,F.BK (Ref # 1)	41034-039-21	
BEARING,FRONT DRUM (Ref # 2)	92045-033	
COLLAR,FR BRK DRUM (Ref # 3)	41039-027	
BEARING BALL #6302 (Ref # 4)	601B6302	
CIRCLIP,42MM (Ref # 5)	92033-1041	
OIL SEAL,#22427 (Ref # 6)	654A224207	
PANEL-ASY,FR BRK BLK (Ref # 7)	41035-065-21	
CAM SHAFT,REAR BRAKE (Ref # 8)	42026-021	
DUST SHIELD BRAKE CAM (Ref # 9)	41051-001	
INDICATOR,FR BRK SHOE (Ref # 10)	41085-017	
LEVER,FRONT BRAKE CAM (Ref # 11)	41053-023	
LEVER,FRONT BRAKE CAM (Ref # 11)	41053-025	
BOLT-UPSET (Ref # 12)	112G0625	
WASHER PLAIN 6MM (Ref # 13)	410B0600	
SHOE-BRAKE (Ref # 14)	41048-1068	
SPRING-BRAKE SHOE (Ref # 15)	42020-004	
AXLE,FRONT (Ref # 16)	41068-048	
COLLAR,FRONT AXLE (Ref # 17)	41069-031	
COLLAR,FRONT AXLE (Ref # 18)	41069-030	