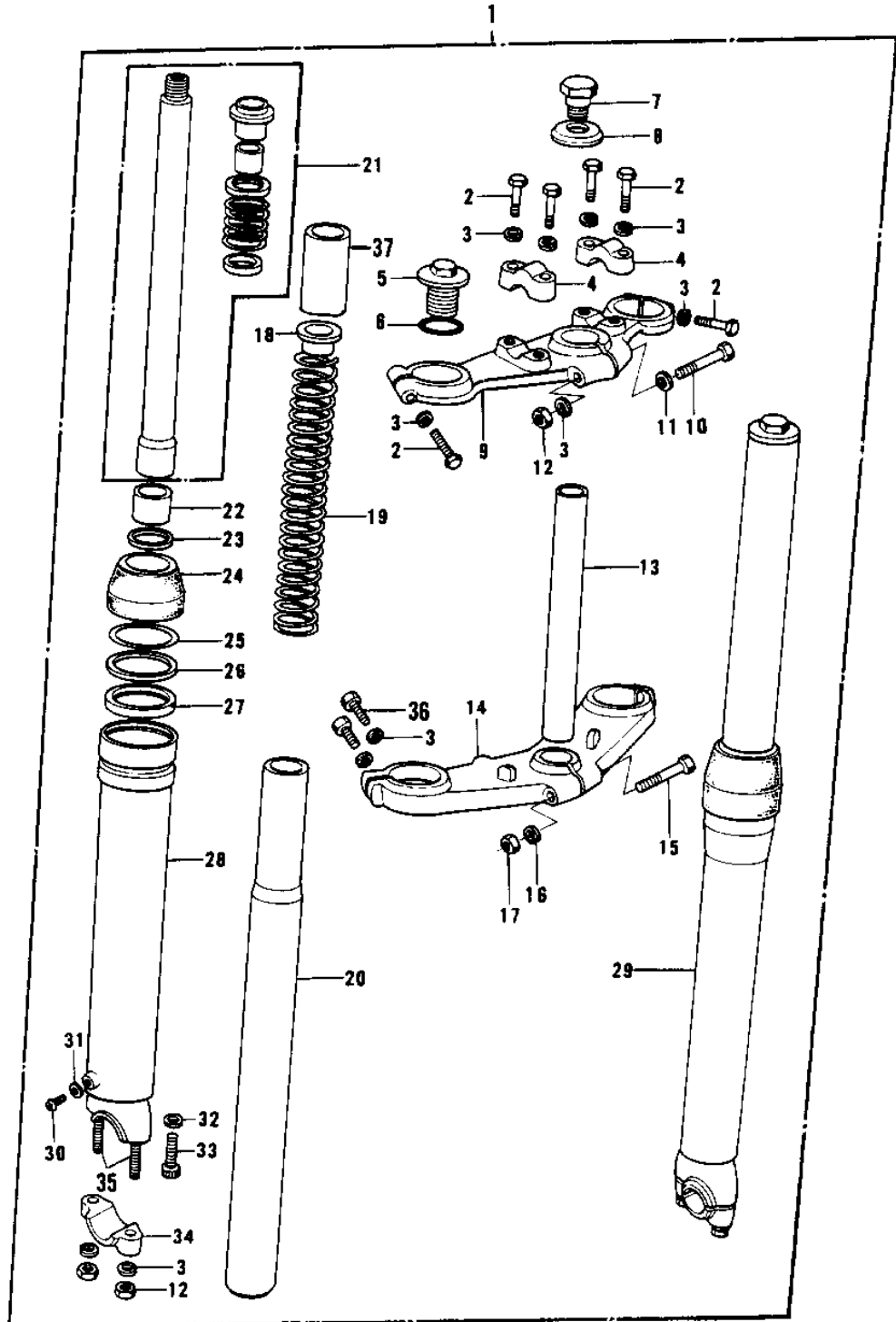


1976 KX400-A2 PARTS DIAGRAM

FRONT FORK



1976 KX400-A2 PARTS LIST

FRONT FORK

ITEM NAME	PART NUMBER	QUANTITY
FORK-FRONT (Ref # 1)	44001-169	
FORK-FRONT (Ref # 1)	44001-182	
BOLT-STEERING STEM HD (Ref # 2)	44041-044	
WASHER SPRING 8MM (Ref # 3)	461F0800	
HOLDER (Ref # 4)	46012-011	
BOLT-FORK FITTING (Ref # 5)	44041-037	
"O" RING,FORK TOP (Ref # 6)	92055-1012	
BOLT,FORK TOP (Ref # 7)	44041-065	
WASHER,FORK TOP BOLT (Ref # 8)	44043-055	
HEAD,STEERING STEM (Ref # 9)	44039-062	
BOLT-STEERING STEM HD (Ref # 10)	44041-042	
WASHER PLAIN 8MM (Ref # 11)	411B0800	
NUT,8MM (Ref # 12)	311B0800	
SHAFT,STEERING STEM (Ref # 13)	44052-008	
STEM,STEERING (Ref # 14)	44038-008	
BOLT,HEX HEAD (Ref # 15)	44041-066	
WASHER SPRING 10MM (Ref # 16)	461F1000	
NUT (10MM) (Ref # 17)	311B1000	
GUIDE,FORK SPRING (Ref # 18)	44028-033	
SPRING,FORK INNER (Ref # 19)	44026-066	
SPRING,FORK INNER (Ref # 19)	44026-068	
TUBE,FORK INNER (Ref # 20)	44013-052	
CYLINDER-FORK (Ref # 21)	44022-030	
PISTON,FORK (Ref # 22)	44018-008	
CIRCLIP,FORK (Ref # 23)	44044-018	
CIRCLIP,FORK (Ref # 23)	44044-021	
DUST SHEILD,FORK (Ref # 24)	44010-032	
CIRCLIP-OIL SEAL FIT (Ref # 25)	44044-012	
WASHER-OIL SEAL FIT (Ref # 26)	44043-044	

1976 KX400-A2 PARTS LIST

FRONT FORK

ITEM NAME	PART NUMBER	QUANTITY
SEAL-OIL,FORK OUTER P (Ref # 27)	92049-1216	
SEAL-OIL,FORK OUTER P (Ref # 27)	92049-1216	
TUBE,LH,FORK OUTER (Ref # 28)	44005-060	
TUBE,RH,FORK OUTER (Ref # 29)	44006-058	
SCREW PAN HEAD 4X8 (Ref # 30)	220B0408	
GASKET (Ref # 31)	44045-045	
GASKET FORK DRAIN PLG (Ref # 31)	44045-002	
GASKET,FORK CYLINDER (Ref # 32)	44045-057	
BOLT-FORK CYLINDER (Ref # 33)	44041-040	
HOLDER,FRONT AXLE (Ref # 34)	44063-011	
STUD,8X35 (Ref # 35)	92004-1009	
BOLT (Ref # 36)	44041-083	
SPACER,FORK SPRING (Ref # 37)	44040-003	