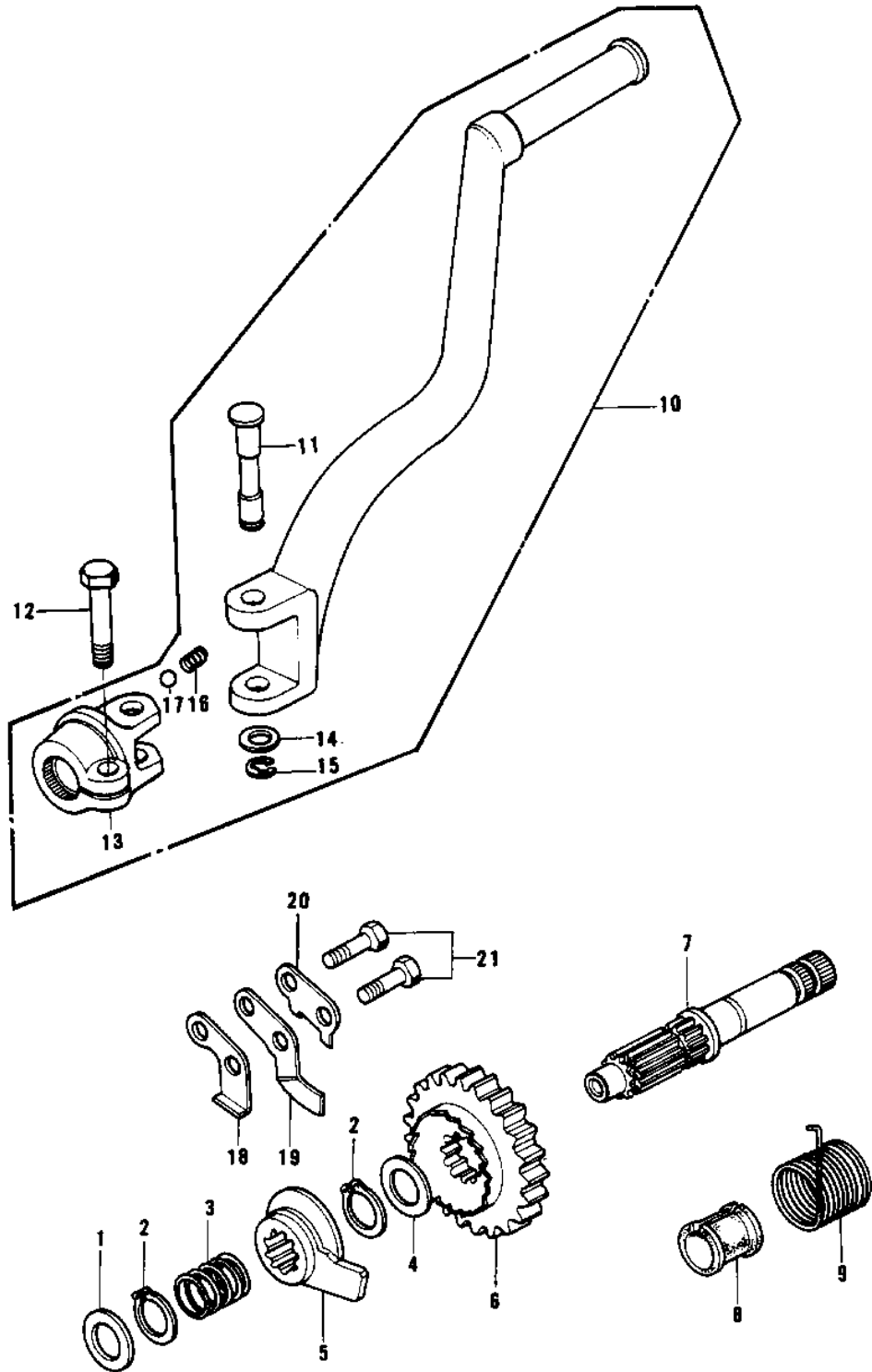


# 1976 KX400-A2 PARTS DIAGRAM

## KICKSTARTER MECHANISM



## 1976 KX400-A2 PARTS LIST

### KICKSTARTER MECHANISM

ITEM NAME	PART NUMBER	QUANTITY
WASHER (Ref # 1)	92022-252	
CIRCLIP (Ref # 2)	92033-026	
SPRING (Ref # 3)	92081-097	
WASHER-PLAIN 25MM (Ref # 4)	92022-159	
RATCHET (Ref # 5)	13078-007	
GEAR,KICKSTARTER (Ref # 6)	13068-029	
SHAFT,KICKSTARTER (Ref # 7)	13066-031	
GUIDE,KICKSTARTER (Ref # 8)	13070-007	
SPRING-KICKSTARTER (Ref # 9)	92082-003	
PEDAL ASSY,KICK (Ref # 10)	13058-060	
PIN,KICK PEDAL (Ref # 11)	92043-119	
BOLT-HEX HEAD,10MM (Ref # 12)	92001-085	
BOLT,HEX HEAD,10X25 (Ref # 12)	113G1025	
BOSS,KICK PEDAL (Ref # 13)	13061-026	
WASHER PLAIN 10MM (Ref # 14)	410B1000	
CIRCLIP,7MM (Ref # 15)	482K7000	
SPRING KICK PEDAL (Ref # 16)	92081-020	
BALL STEEL 1/4' (Ref # 17)	600A0800	
STOPPER,KICKSTARTER (Ref # 18)	13072-014	
GUIDE,KICKSTARTER (Ref # 19)	13206-1003	
WASHER,LOCK (Ref # 20)	92031-008	
BOLT-UPSET,6X16 (Ref # 21)	112G0616	