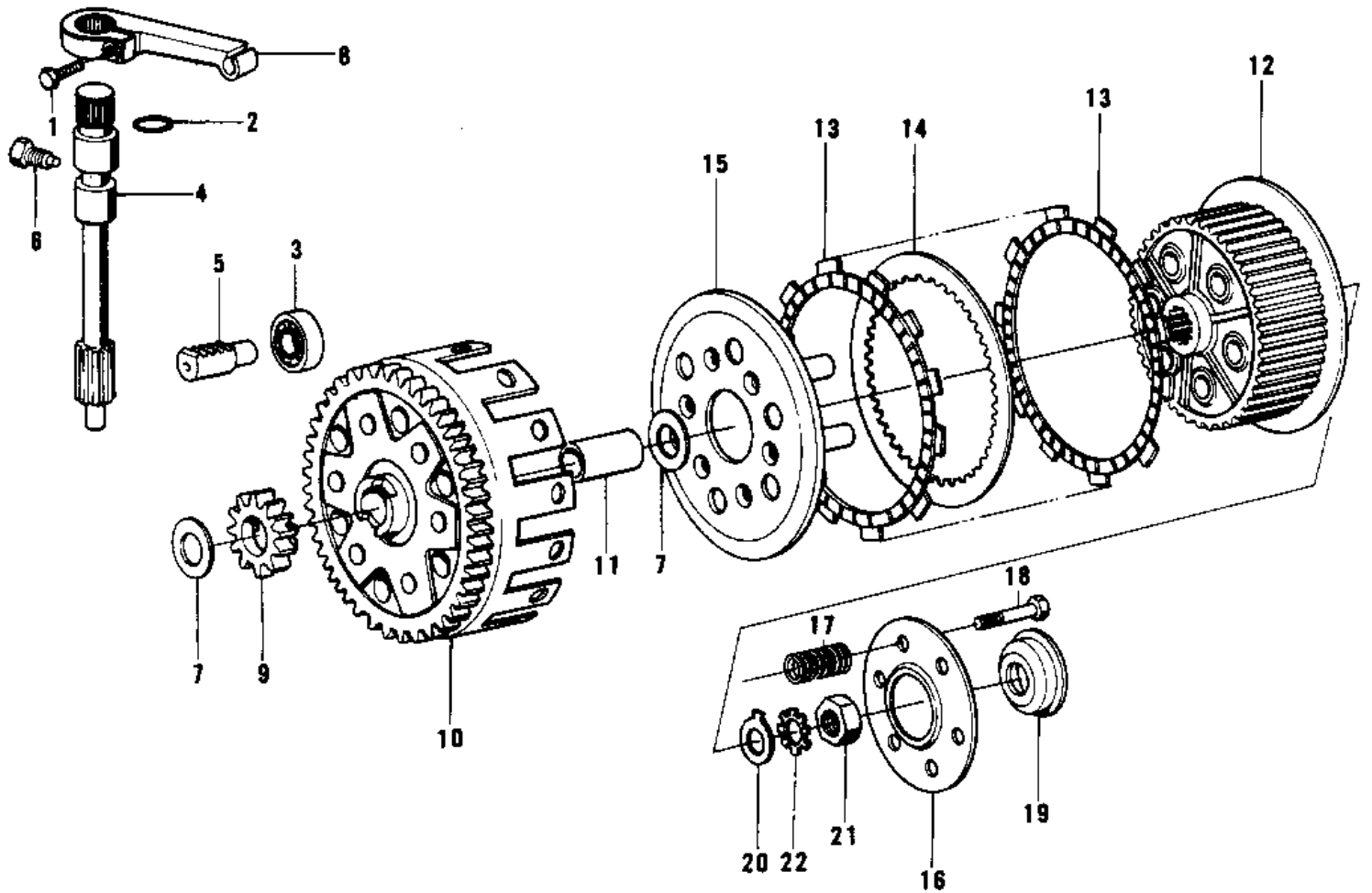


# 1976 KX400-A2 PARTS DIAGRAM

CLUTCH



# 1976 KX400-A2 PARTS LIST

## CLUTCH

ITEM NAME	PART NUMBER	QUANTITY
BOLT-UPSET (Ref # 1)	112G0618	
"0" RING, 10MM (Ref # 2)	670B2010	
BEARING,BALL #627 (Ref # 3)	92045-026	
SHAFT,CLUTCH RELEASE (Ref # 4)	13106-006	
ROD,CLUTCH PUSH (Ref # 5)	13116-025	
BOLT,CLUTCH RELEASE (Ref # 6)	92003-130	
WASHER,PLAIN (Ref # 7)	92022-270	
LEVER,CLUTCH RELEASE (Ref # 8)	13103-022	
PINION,KICKSTARTER (Ref # 9)	13075-009	
HOUSHING,CLUTCH (Ref # 10)	13095-038	
BUSHING (Ref # 11)	92028-105	
HUB,CLUTCH (Ref # 12)	13087-035	
PLATE,CLUTCH FRICTION (Ref # 13)	13088-038	
PLATE,CLUTCH STEEL (Ref # 14)	13089-024	
WHEEL,CLUTCH (Ref # 15)	13086-014	
HOLDER,CLUTCH SPRING (Ref # 16)	13091-012	
SPRING CLUTCH (Ref # 17)	92081-042	
BOLT-UPSET (Ref # 18)	112G0618	
PUSHER,CLUTCH RELEASE (Ref # 19)	13114-008	
WASHER, (Ref # 20)	92024-052	
NUT (Ref # 21)	92015-064	
WASHER,LOCK,14MM (Ref # 22)	464H1400	