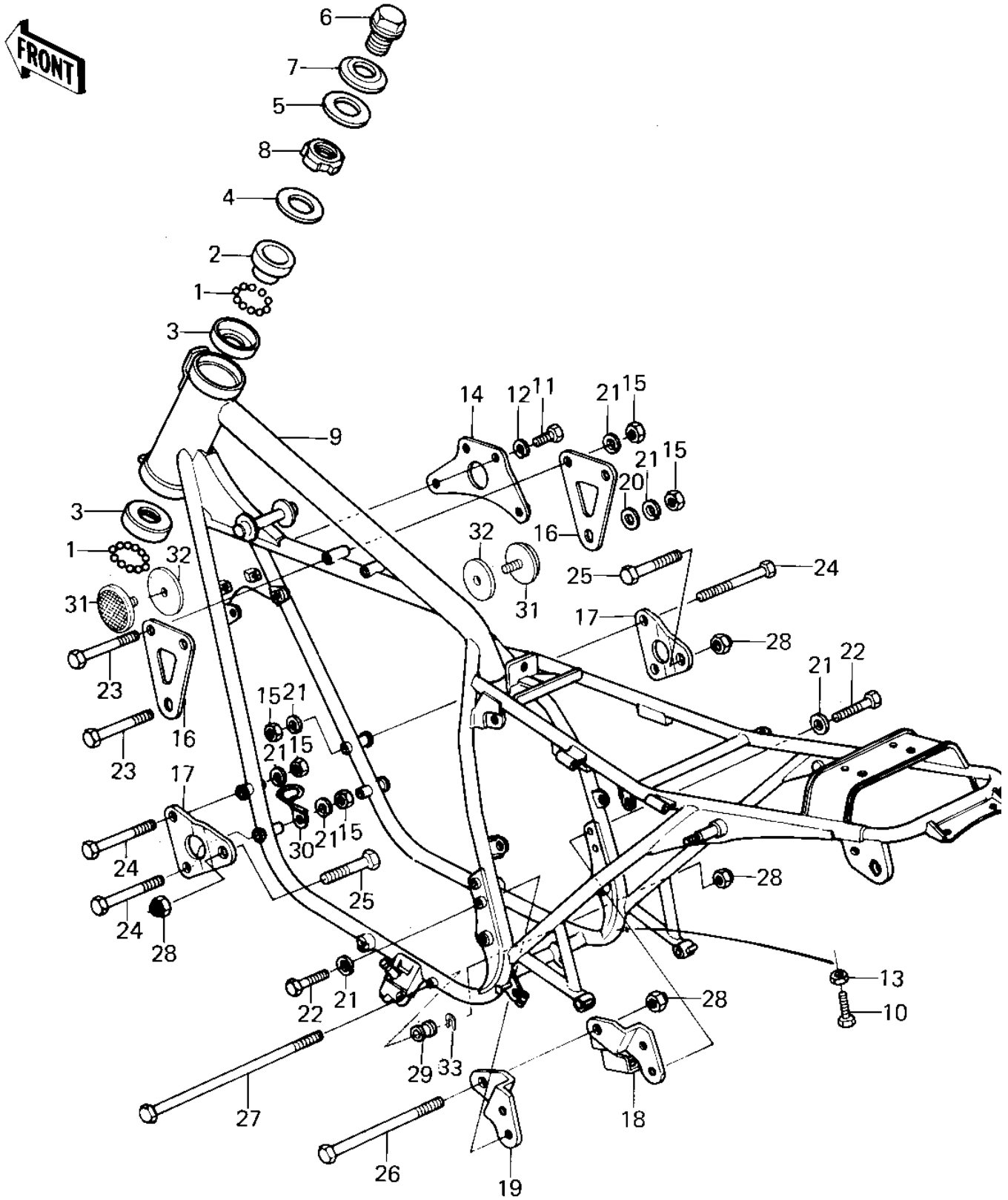


## 1979 KZ400-H1 PARTS DIAGRAM

### FRAME/FRAME FITTINGS



## 1979 KZ400-H1 PARTS LIST

### FRAME/FRAME FITTINGS

ITEM NAME	PART NUMBER	QUANTITY
BALL STEEL 1/4' (Ref # 1)	600A0800	1
CONE STRNG STEM BERNG (Ref # 2)	92047-006	1
RACE STRNG STEM BERNG (Ref # 3)	92048-006	1
CAP, STEERING STEM (Ref # 4)	46098-016	1
WASHER,WAVE (Ref # 5)	46100-003	1
BOLT,STEERG STEM HEAD (Ref # 6)	92007-031	1
WASHER,STEERG STM HD (Ref # 7)	92022-230	1
NUT STEERING STEM LCK (Ref # 8)	92090-007	1
FRAME-COMP (Ref # 9)	32002-1248	1
BOLT-UPSET,6X20 (Ref # 10)	112G0620	1
BOLT-UPSET 6X14 (Ref # 11)	112B0614	1
WASHER SPRING 6MM (Ref # 12)	461F0600	1
NUT 6MM (Ref # 13)	311B0600	1
BRACKET,IGNITON COIL (Ref # 14)	32058-049	1
NUT,8MM (Ref # 15)	311B0800	1
BRACKET,ENGINE,HEAD (Ref # 16)	32029-1097	1
BRACKET,ENGINE,FRONT (Ref # 17)	32029-1098	1
BRACKET,ENG,REAR,R.H. (Ref # 18)	32029-1099	1
BRACKET,ENG REAR,L.H. (Ref # 19)	32029-1100	1
WASHER PLAIN 8MM (Ref # 20)	411B0800	1
WASHER SPRING 8MM (Ref # 21)	461F0800	1
BOLT,FLANGED,8X35 (Ref # 22)	92001-1577	1
BOLT,FLANGED,8X60 (Ref # 23)	92001-1581	1
BOLT,HEX HEAD,8X65 (Ref # 24)	92001-1236	1
BOLT,HEX HEAD,10X50 (Ref # 25)	92001-1254	1
BOLT,HEX HEAD,10X200 (Ref # 26)	92001-1260	1
BOLT,10X300,REAR LOWR (Ref # 27)	92001-1272	1
NUT,LOCK,10MM (Ref # 28)	92019-021	1
COLLAR,ENG MOUNTING (Ref # 29)	92027-160	1

## 1979 KZ400-H1 PARTS LIST

### FRAME/FRAME FITTINGS

ITEM NAME	PART NUMBER	QUANTITY
COLLAR (Ref # 29)	92027-250	1
CLAMP,CABLE (Ref # 30)	92037-1015	1
REFLECTOR,REFLEX (Ref # 31)	28012-016	1
DAMPER RUBBER,REFLECT (Ref # 32)	92094-011	1
SHIM-ENG FIT FR,0.5MM (Ref # 33)	92025-053	1