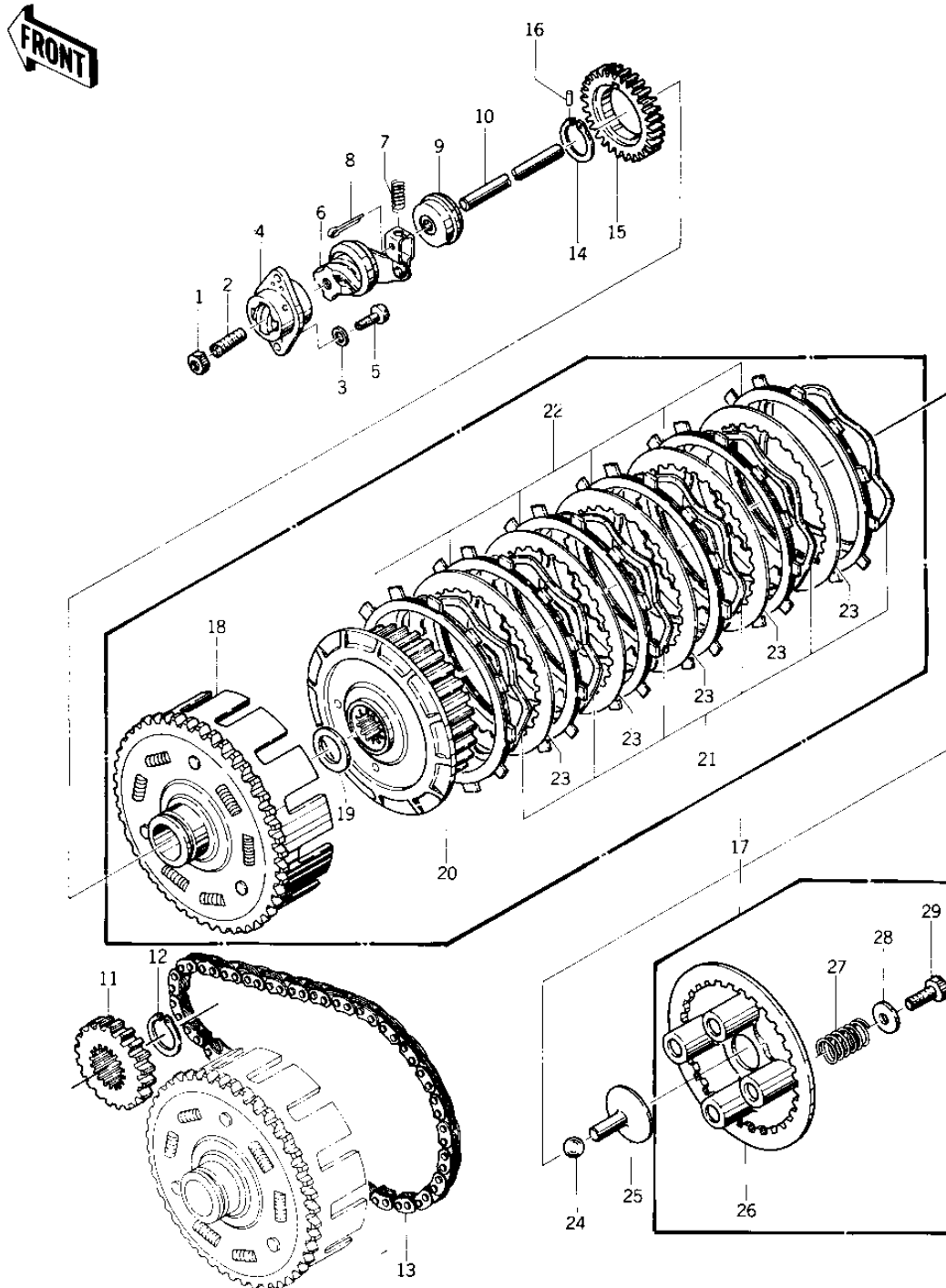


1976 KZ400-D3 PARTS DIAGRAM

CLUTCH ('76 -'77 KZ400 - D3/D4)

F
—



1976 KZ400-D3 PARTS LIST

CLUTCH ('76 -'77 KZ400 - D3/D4)

ITEM NAME	PART NUMBER	QUANTITY
NUT 8MM (Ref # 1)	318B0800	1
SCREW,SLOTTED,8X25 (Ref # 2)	92014-014	1
WASHER PLAIN 6MM (Ref # 3)	411B0600	1
OUTER,CLUTCH RELEASE (Ref # 4)	13118-007	1
SCREW PAN HEAD 6X16 (Ref # 5)	220B0616	1
INNER,CLUTCH RELEASE (Ref # 6)	13102-013	1
SPRING-CLUTCH RELEASE (Ref # 7)	92081-069	1
PIN COTTER 1.6X15 (Ref # 8)	550D1615	1
OIL SEAL,PUSH ROD (Ref # 9)	92050-068	1
OIL SEAL,PUSH ROD (Ref # 9)	92049-1041	1
ROD,PUSH,CLUTCH (Ref # 10)	13116-1017	2
SPROCKET,PRIMARY (Ref # 11)	13121-030	1
CIRCLIP,30MM (Ref # 12)	480J3000	1
CHAIN,PRIMARY DRIVE (Ref # 13)	13122-005	1
CIRCLIP, 38MM (Ref # 14)	480J3800	1
GEAR,OIL PUMP (Ref # 15)	16084-019	2
PIN, DOWELL, 6X6 (Ref # 16)	610A0606	1
CLUTCH-ASSY (Ref # 17)	13081-074	1
HOUSING,CLUTCH (Ref # 18)	13095-045	1
WASHER,CLUTCH THRUST (Ref # 19)	92022-288	1
HUB,CLUTCH (Ref # 20)	13087-040	1
RING,CLUTCH STEEL (Ref # 21)	13229-005	1
PLATE,FRICTION (Ref # 22)	13088-1001	2
PLATE,CLUTCH STEEL (Ref # 23)	13089-026	1
BALL STEEL 3/8' (Ref # 24)	600A1200	1
PUSHER,CLTCH SPRG PLT (Ref # 25)	13116-029	1
PLATE,CLUTCH SPRING (Ref # 26)	13187-007	1
SPRING,CLUTCH (Ref # 27)	92081-1033	2
HOLDER,CLUTCH SPRING (Ref # 28)	13091-011	1

1976 KZ400-D3 PARTS LIST

CLUTCH ('76 -'77 KZ400 - D3/D4)

ITEM NAME	PART NUMBER	QUANTITY
BOLT-UPSET (Ref # 29)	112G0618	1