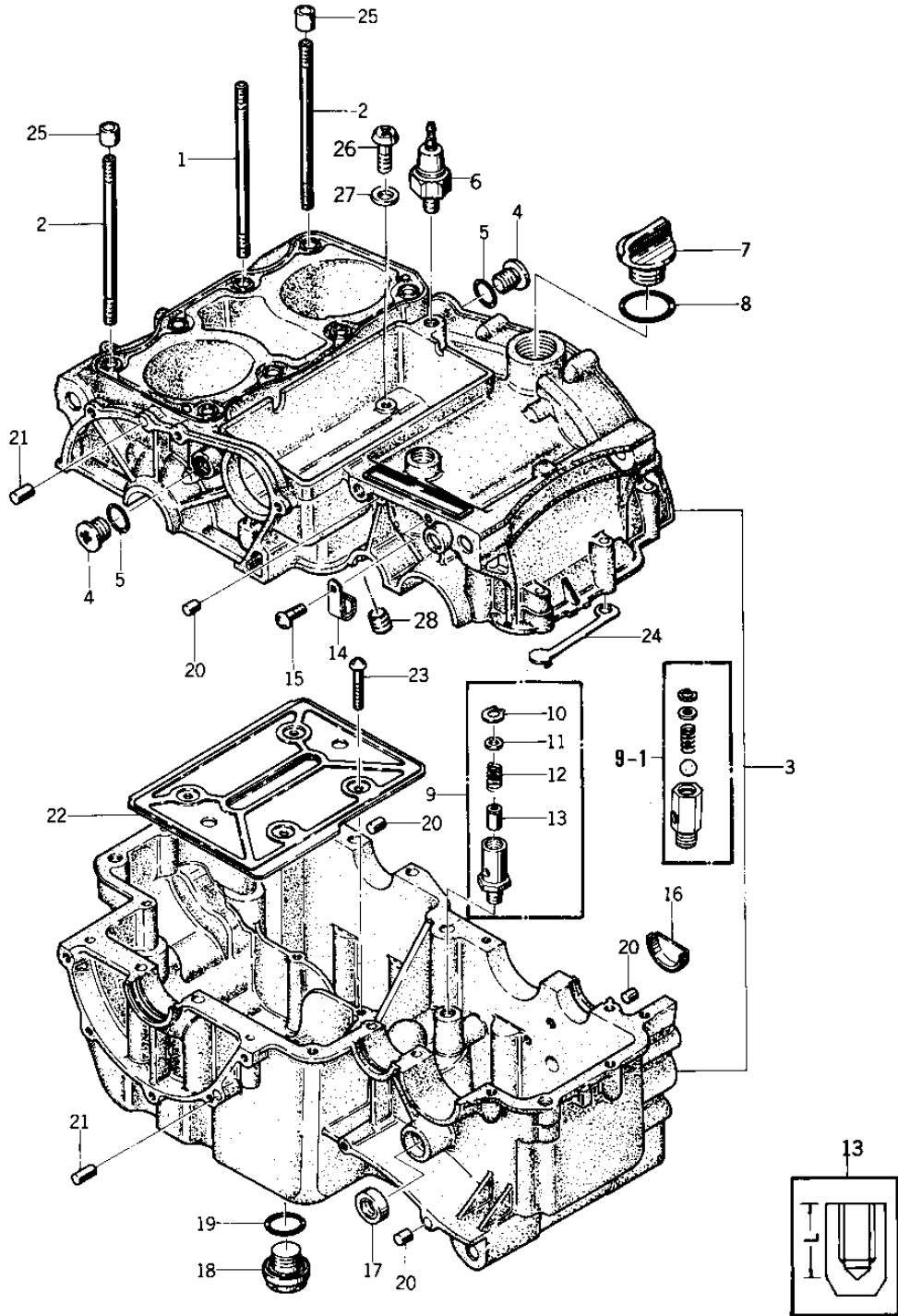


## 1976 KZ400-D3 PARTS DIAGRAM

CRANKCASE ('76 -'77 KZ400 - D3/D4)



## 1976 KZ400-D3 PARTS LIST

CRANKCASE ('76 -'77 KZ400 - D3/D4)

ITEM NAME	PART NUMBER	QUANTITY
.STUD,8X201 (Ref # 1)	92004-052	1
.STUD,8X210 (Ref # 2)	92004-053	1
CRANKCASE SET (Ref # 3)	14001-102	2
.PLUG (Ref # 4)	92066-067	2
."O" RING,13.5MM (Ref # 5)	92055-073	1
SWITCH,OIL PRESSURE (Ref # 6)	27010-1157	1
PLUG,OIL FILLER (Ref # 7)	16115-013	1
"0" RING,31MM (Ref # 8)	92055-049	1
RELEAF VALVE ASSY (Ref # 9)	16130-1001	2
CIRCLIP, 12MM (Ref # 10)	481J1200	1
SPACER,RELEAF VALVE (Ref # 11)	92026-097	1
SPRING,RELEAF VALVE (Ref # 12)	16133-003	1
PISTON,RELEAF VALVE (Ref # 13)	16126-002	1
CLAMP,WIRING HARNESS (Ref # 14)	21126-008	2
SCREW PAN HEAD 6X12 (Ref # 15)	220B0612	3
RECEIVER,OIL (Ref # 16)	14015-005	1
OIL SEAL,TB13225.5 (Ref # 17)	92051-005	1
.PLUG,OIL DRAIN,12X15 (Ref # 18)	92066-1174	1
.GASKET,DRIN PLUG (Ref # 19)	92065-097	1
.PIN-DOWEL (Ref # 20)	92042-007	1
.PIN,DOWEL,6X12 (Ref # 21)	551A0612	1
PLATE (Ref # 22)	14082-001	1
CLAMP,OVERFLOW HOSE (Ref # 24)	92037-149	1
.PIN,DOWEL,10X8.2X14 (Ref # 25)	92043-1037	1
WASHER,PLAIN (Ref # 27)	92022-304	1
.NOZZLE,OIL BIAS (Ref # 28)	92062-011	1