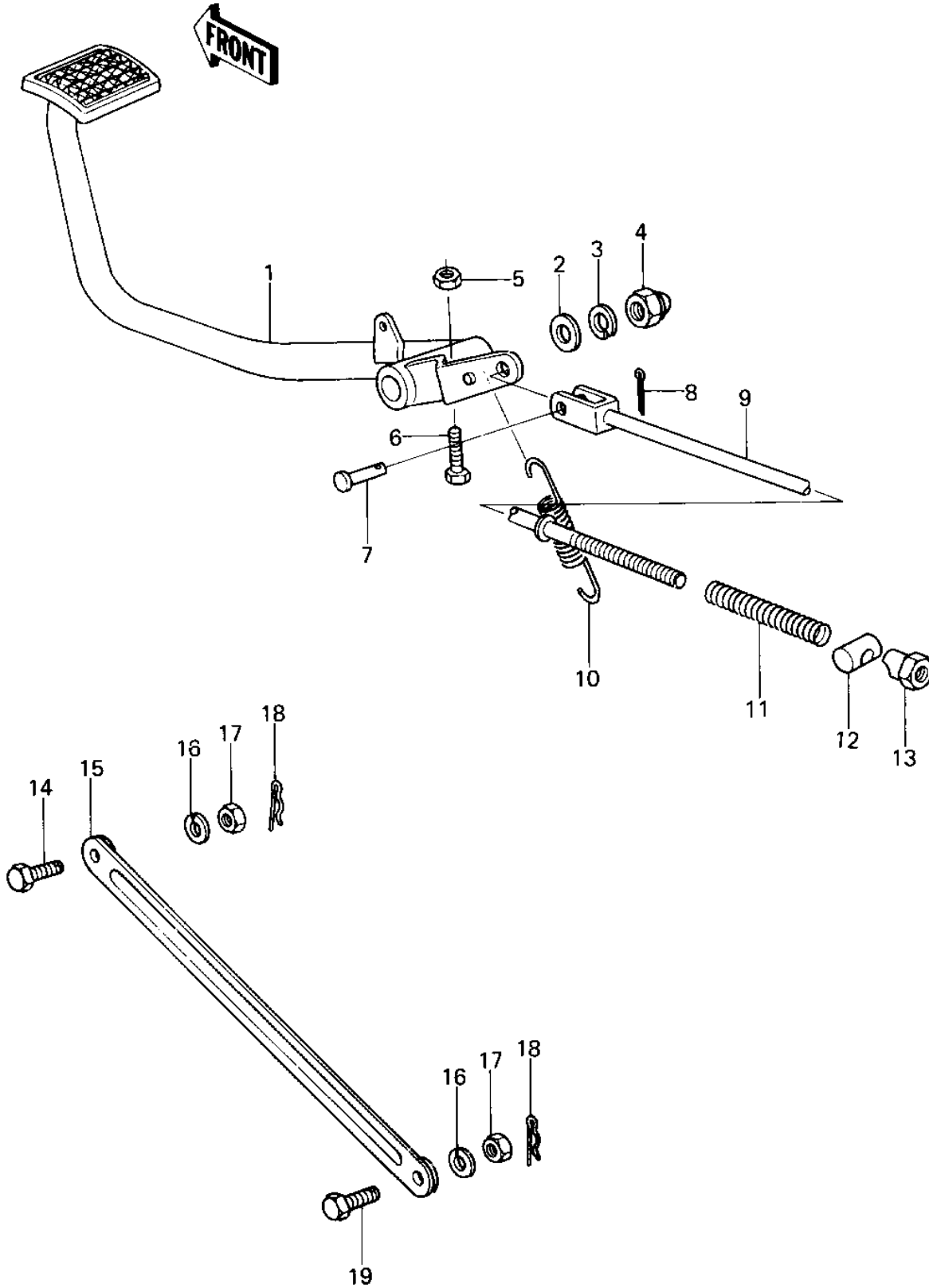


1979 KZ400-B2 PARTS DIAGRAM

BRAKE PEDAL/TORQUE LINK



1979 KZ400-B2 PARTS LIST

BRAKE PEDAL/TORQUE LINK

ITEM NAME	PART NUMBER	QUANTITY
PEDAL,BRAKE (Ref # 1)	43001-1010	
WASHER,8.5X20X1.6 (Ref # 2)	92022-1561	
WASHER SPRING 8MM (Ref # 3)	461F0800	
NUT,CAP AND LOCK,8MM (Ref # 4)	92019-013	
NUT 6MM (Ref # 5)	311B0600	
BOLT,HEX HEAD,6X25 (Ref # 6)	92001-1090	
PIN,BRAKE ROD FITTING (Ref # 7)	92043-090	
PIN COTTER 2.5X16 (Ref # 8)	550D2516	
ROD,BRAKE (Ref # 9)	43011-026	
SPRING,BRAKE PEDAL (Ref # 10)	43005-029	
SPRING,BRAKE ROD (Ref # 11)	43012-001	
PIN-BRAKE ROD (Ref # 12)	92043-065	
NUT-BRAKE ROD ADJUST (Ref # 13)	92015-042	
BOLT TORQUE LINK FIT (Ref # 14)	92003-017	
TORQUE LINK REAR BRK (Ref # 15)	43007-016	
WASHER SPRING 10MM (Ref # 16)	461F1000	
NUT 10MM (Ref # 17)	315B1000	
PIN,SNAP (Ref # 18)	554A0800	
BOLT HEX HEAD 10MM (Ref # 19)	92003-034	