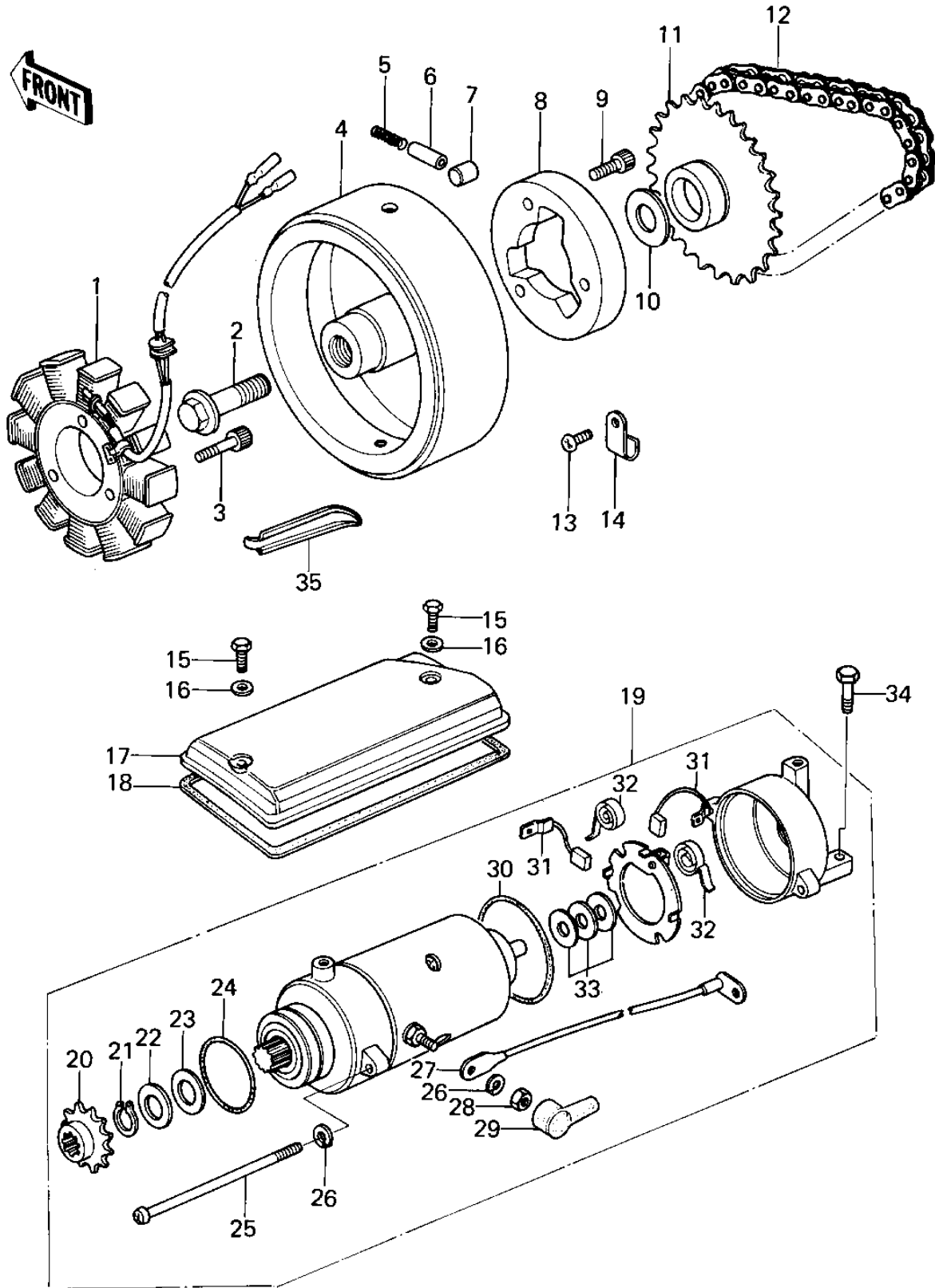


# 1979 KZ400-B2 PARTS DIAGRAM

GENERATOR/STARTER MOTOR



# 1979 KZ400-B2 PARTS LIST

## GENERATOR/STARTER MOTOR

ITEM NAME	PART NUMBER	QUANTITY
STATOR.ASSY,GENERATER (Ref # 1)	21003-1009	
BOLT,10X40 (Ref # 2)	92002-1303	
BOLT,ALLEN,6X28 (Ref # 3)	120P0628	
FLYWHEEL (Ref # 4)	21050-1004	
SPRING (Ref # 5)	92081-110	
PIN (Ref # 6)	92043-087	
ROLLER (Ref # 7)	92122-004	
BOLT (Ref # 8)	120P0816	
BOLT (Ref # 9)	120P0816	
SPACER,25X40X1 (Ref # 10)	92026-1004	
SPROCKET,ONWAY CLUTCH (Ref # 11)	12046-1030	
CHAIN,DYNAMO (Ref # 12)	92057-1009	
SCREW PAN HEAD 6X10 (Ref # 13)	220B0610	
CLAMP,WIRING HARNESS (Ref # 14)	21126-008	
BOLT (6X10) (Ref # 15)	110R0610	
WASHER,PLAIN,6MM (Ref # 16)	410D0600	
COVER,STARTER (Ref # 17)	14025-1284	
GASKET,STARTER COVER (Ref # 18)	11009-1006	
MOTOR ASSY,STARTER (Ref # 19)	21163-1011	
SPROCKET STARTNG MOT (Ref # 20)	21053-002	
CIRCLIP 14MM (Ref # 21)	480J1400	
WASHER,PLAIN,14MM (Ref # 22)	21025-008	
WASHER PLAIN 14MM (Ref # 23)	21025-009	
"O" RING,42.8MM (Ref # 24)	21027-005	
SCREW PAN HEAD 6X110 (Ref # 25)	220B06110	
WASHER SPRING 6MM (Ref # 26)	461F0600	
WIRE STRTER MOT LEAD (Ref # 27)	26010-035	
NUT 6MM (Ref # 28)	312B0600	
CAP,STARTING MOTOR (Ref # 29)	21017-020	

## 1979 KZ400-B2 PARTS LIST

### GENERATOR/STARTER MOTOR

ITEM NAME	PART NUMBER	QUANTITY
"0" RING,62MM (Ref # 30)	21027-006	
BRUSH CARBON (Ref # 31)	21039-004	
SPRING CARBON BRUSH (Ref # 32)	21040-004	
WASHER,PLAIN,9MM (Ref # 33)	21025-007	
BOLT-UPSET (Ref # 34)	112G0625	
PLATE,LEAD CLAMP (Ref # 35)	13169-1008	