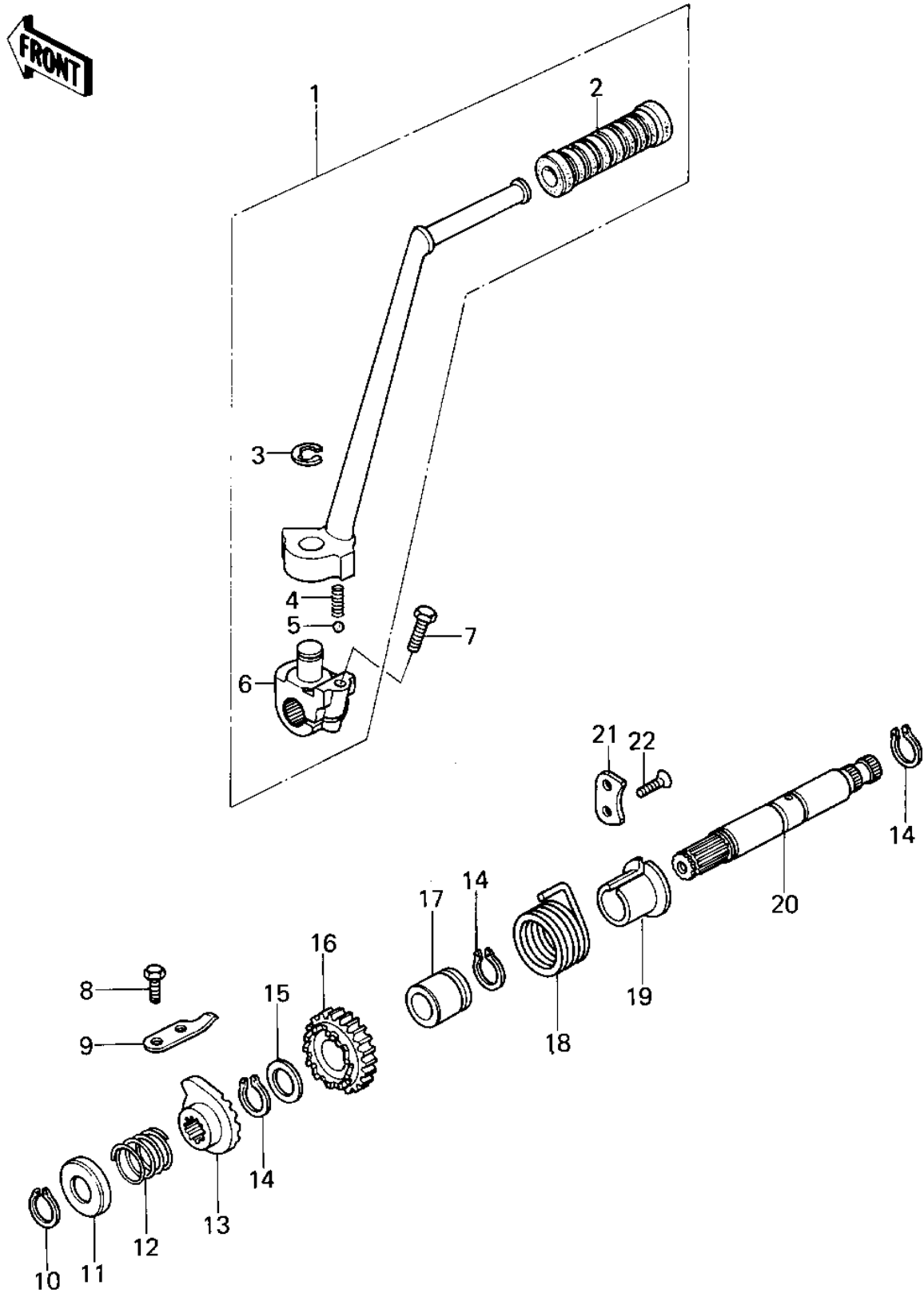


# 1979 KZ400-B2 PARTS DIAGRAM

## KICKSTARTER MECHANISM



# 1979 KZ400-B2 PARTS LIST

## KICKSTARTER MECHANISM

ITEM NAME	PART NUMBER	QUANTITY
PEDAL ASSY,KICK (Ref # 1)	13064-1002	
RUBBER KICK PEDAL (Ref # 2)	13063-004	
CIRCLIP 9MM (Ref # 3)	482K9000	
SPRING KICK PEDAL (Ref # 4)	92081-020	
BALL STEEL 1/4' (Ref # 5)	600A0800	
BOSS,KICK PEDAL (Ref # 6)	13061-1001	
BOLT,FLANGED,8X35 (Ref # 7)	92001-1577	
BOLT-UPSET,6X20 (Ref # 8)	112G0620	
STOPPER,KICKSTARTER (Ref # 9)	13072-012	
CIRCLIP,19MM (Ref # 10)	480J1900	
CAP,KICKSTARTER (Ref # 11)	92102-008	
SPRING RATCHET (Ref # 12)	92081-104	
RATCHET,KICK SHAFT (Ref # 13)	13078-011	
CIRCLIP, 20MM (Ref # 14)	480J2000	
WASHER THRUST (Ref # 15)	92022-112	
GEAR,KICK,20T (Ref # 16)	59051-1007	
BUSHING,KICK SHAFT (Ref # 17)	92028-175	
SPRING,KICK RETURN (Ref # 18)	92082-006	
GUIDE,KICK SPRING (Ref # 19)	13070-009	
SHAFT,KICK (Ref # 20)	13066-1001	
PLATE-DRUM LEV POSTON (Ref # 21)	13169-007	
SCREW CNTSNK HD 6X16 (Ref # 22)	221B0616	