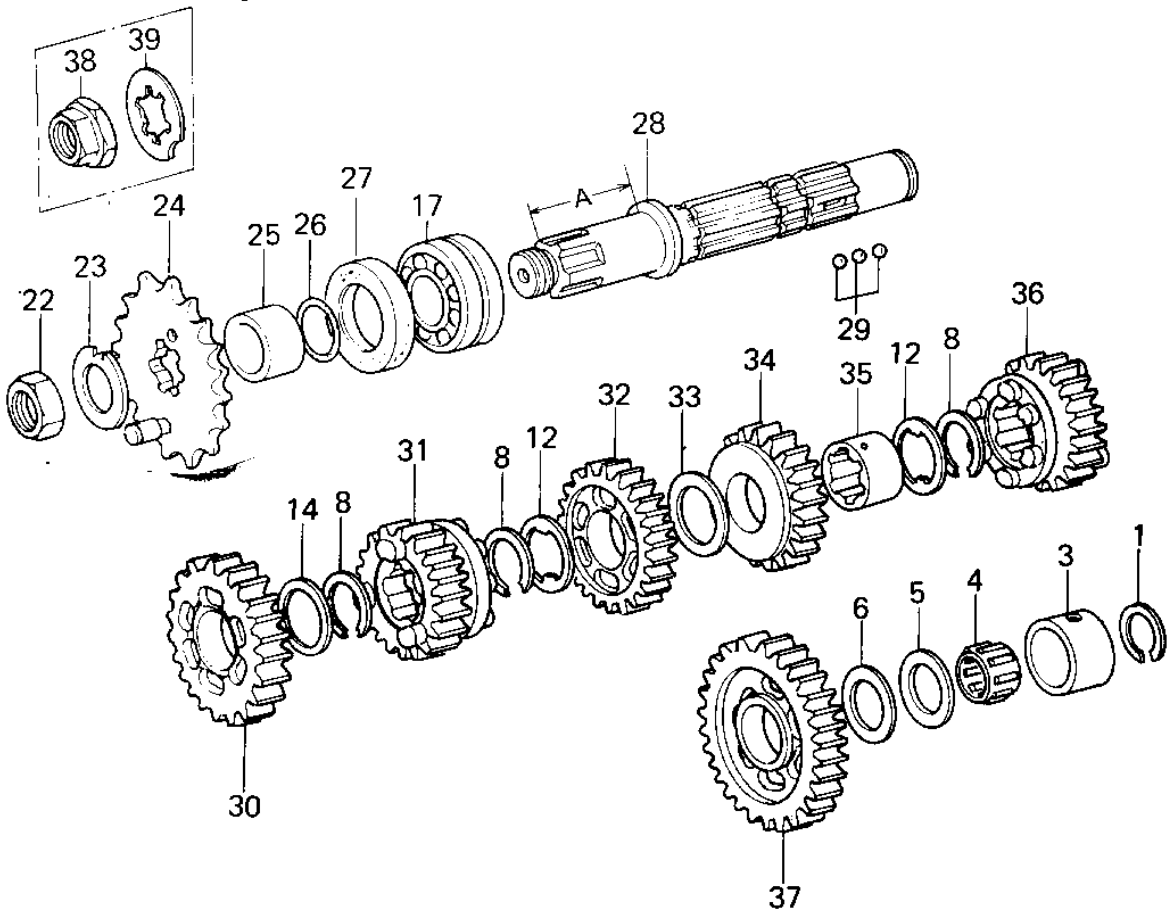
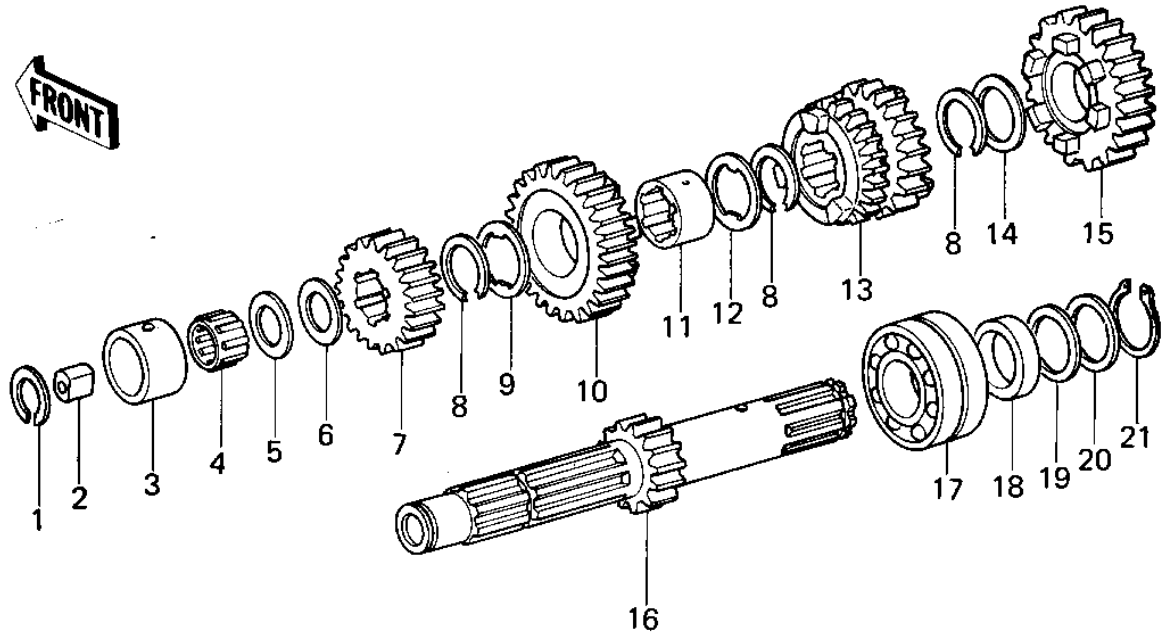


# 1979 KZ400-B2 PARTS DIAGRAM

## TRANSMISSION



# 1979 KZ400-B2 PARTS LIST

## TRANSMISSION

ITEM NAME	PART NUMBER	QUANTITY
CIRCLIP (Ref # 1)	92033-015	
BUSHING,DRIVE SHAFT (Ref # 2)	92028-155	
RACE,OUT & DRV SHAFT (Ref # 3)	92048-1001	
BRG,N,20R25139 (Ref # 4)	92046-044	
SHIM-KICK SHAFT (Ref # 5)	92022-144	
WASHER THRUST (Ref # 6)	92022-112	
2ND GEAR,DRV SHAFT (Ref # 7)	13129-1062	
CIRCLIP (Ref # 8)	92033-026	
WASHER-LOCK (Ref # 9)	92024-033	
TOP GEAR,DRV SHAFT (Ref # 10)	13129-1055	
BUSHING,OUTPUT 3RD GR (Ref # 11)	92028-1002	
WASHER-LOCK (Ref # 12)	92024-038	
3RD-4TH GEAR,DRV SHFT (Ref # 13)	13129-1054	
WASHER-PLAIN 25MM (Ref # 14)	92022-159	
GEAR,INPUT5TH,23T (Ref # 15)	13129-1277	
SHAFT,DRIVE,13T (Ref # 16)	13127-1004	
BEARING,B,5205ANX4PX (Ref # 17)	92045-031	
COLLAR (Ref # 18)	92027-289	
WASHER-THRUST (Ref # 19)	92022-225	
WASHER,CLUTCH TRUST (Ref # 20)	92022-302	
CIRCLIP 24MM (Ref # 21)	480J2400	
NUT 20MM (Ref # 22)	92016-028	
WASHER,LOCK,20MM (Ref # 23)	92024-044	
ENGINE SPROCKET (Ref # 24)	13144-1003	
COLLAR,ENG SPROCKET (Ref # 25)	92027-288	
"O" RING (Ref # 26)	92055-035	
OIL SEAL SC325210 (Ref # 27)	92050-024	
SHAFT,OUTPUT (Ref # 28)	13128-1004	
SHAFT,OUTPUT (Ref # 28)	13128-1015	

## 1979 KZ400-B2 PARTS LIST

### TRANSMISSION

ITEM NAME	PART NUMBER	QUANTITY
BALL STEEL 5/32' (Ref # 29)	600A0500	
2ND GEAR,OUTPUT SHAFT (Ref # 30)	13129-1057	
TOP GEAR,OUTPUT SHAFT (Ref # 31)	13129-1061	
3RD GEAR,OUTPUT SHAFT (Ref # 32)	13129-1058	
WASHER,THRUST (Ref # 33)	92026-079	
4TH GEAR,OUTPUT SHAFT (Ref # 34)	13129-1059	
BUSHING,OUTPUT GEAR (Ref # 35)	92028-1268	
5TH GEAR,OUTPUT SHAFT (Ref # 36)	13129-1060	
LOW GEAR,OUTPUT SHAFT (Ref # 37)	13129-1056	
NUT,20MM (Ref # 38)	92015-1254	
WASHER,SPLINE (Ref # 39)	92022-1083	