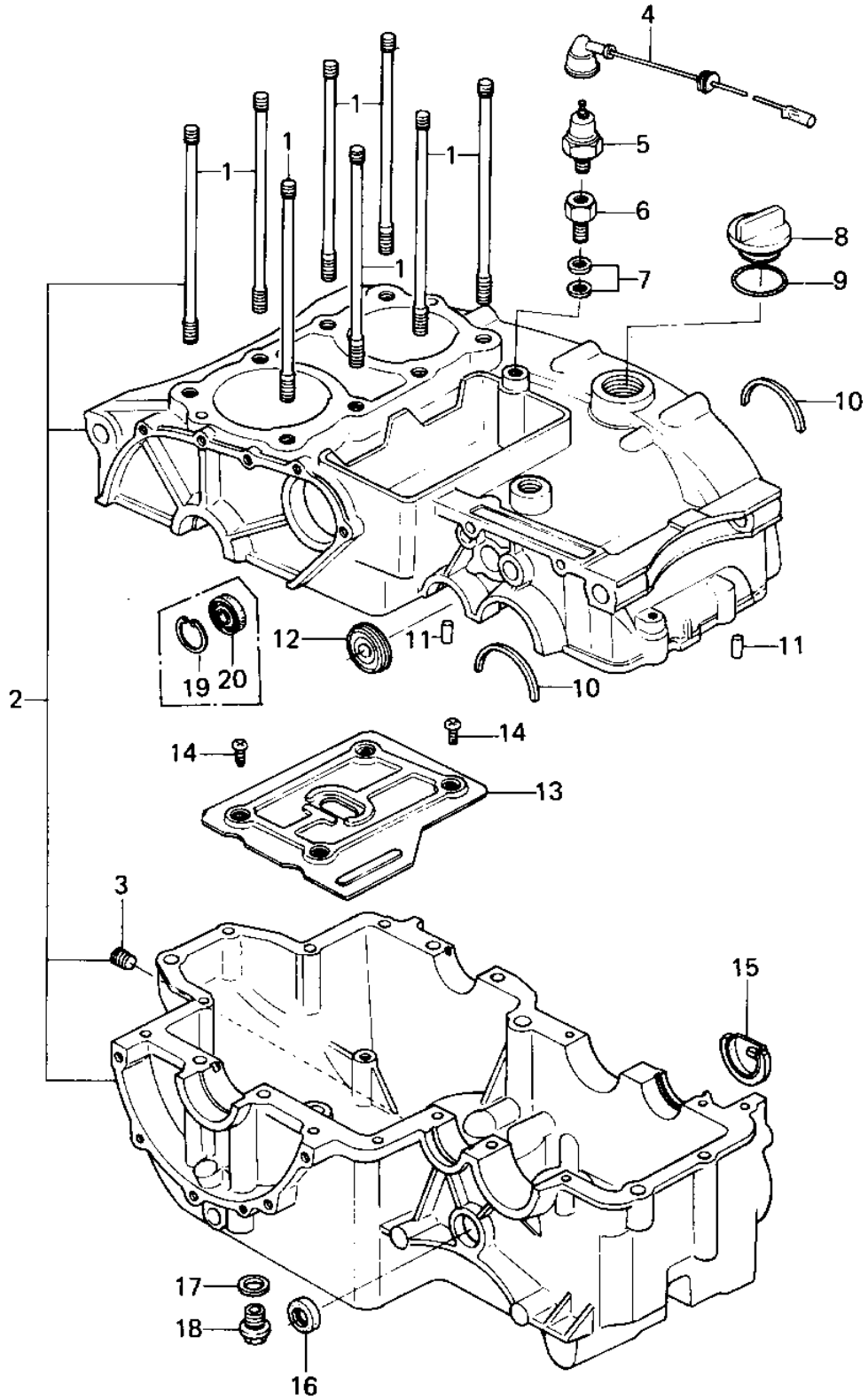


1979 KZ400-B2 PARTS DIAGRAM

CRANKCASE



1979 KZ400-B2 PARTS LIST

CRANKCASE

ITEM NAME	PART NUMBER	QUANTITY
STUD,10X153 (Ref # 1*)	92004-062	
CRANKCASE SET (Ref # 2)	14001-5010	
SET-CRANKCASE (Ref # 2)	14001-5087	
PLUG,OIL SWITCH (Ref # 3*)	92066-059	
WIRE,LEAD,OIL SWITCH (Ref # 4)	26011-1078	
SWITCH,OIL PRESSURE (Ref # 5)	27010-1157	
BOLT,OIL SWITCH (Ref # 6)	92001-1020	
GASKET,10X14.5X1.5 (Ref # 7)	11009-1105	
PLUG,OIL FILLER (Ref # 8)	16115-013	
"O" RING,31MM (Ref # 9)	92055-049	
RING BEARING SETTING (Ref # 10)	14013-004	
PIN DOWEL 6MM (Ref # 11)	92042-016	
OIL SEAL,PUSH ROD (Ref # 12)	92050-068	
PLATE,CRANKCASE (Ref # 13)	13169-1103	
SCREW PAN HEAD 6X12 (Ref # 14)	220B0612	
RECEIVER,OIL (Ref # 15)	13045-1001	
OIL SEAL,TB13225.5 (Ref # 16)	92051-005	
GASKET,DRIN PLUG (Ref # 17)	92065-097	
PLUG,OIL DRAIN,12X15 (Ref # 18)	92066-1174	
CIRCLIP,36M/M (Ref # 19)	481J3600	
OIL SEAL,PUSH ROD (Ref # 20)	92049-1041	