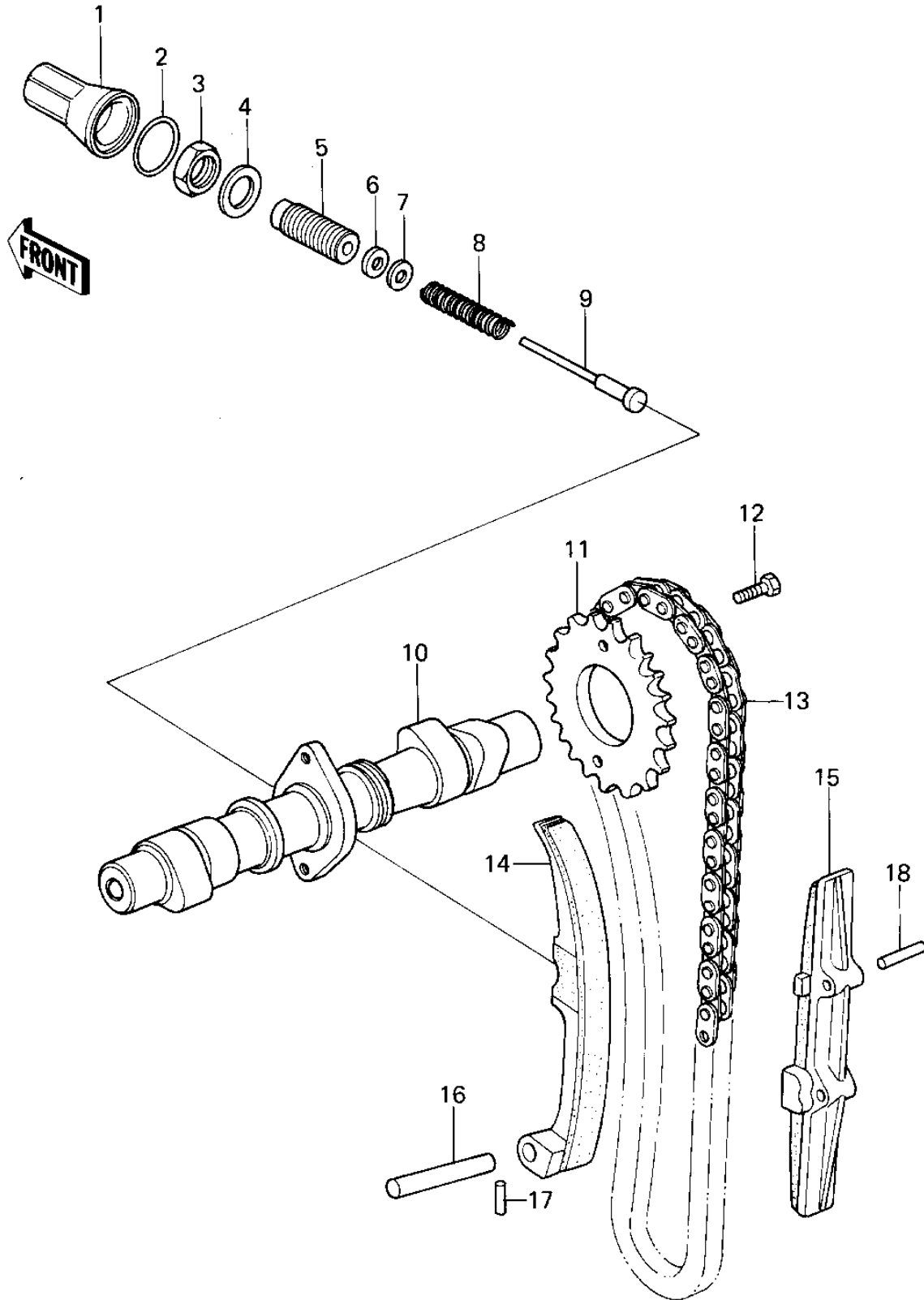


1979 KZ400-B2 PARTS DIAGRAM

CAMSHAFT/CHAIN/TENSIONER



1979 KZ400-B2 PARTS LIST

CAMSHAFT/CHAIN/TENSIONER

ITEM NAME	PART NUMBER	QUANTITY
CAP,CAM CHAIN TENSION (Ref # 1)	12064-005	
"0" RING,22MM (Ref # 2)	92055-018	
NUT,LOCK (Ref # 3)	92016-054	
WASHER,14X20X2 (Ref # 4)	92022-1040	
GUIDE,PUSH ROD (Ref # 5)	92001-1271	
WASHER,PLAIN (Ref # 6)	92022-1030	
WASHER,PLAIN (Ref # 7)	92022-1029	
SPRING,CHAIN TENSINR (Ref # 8)	92081-131	
ROD,PUSH (Ref # 9)	13116-1003	
CAMSHAFT,VALVE (Ref # 10)	12044-5001	
SPROCKET,CAM,34T (Ref # 11)	12046-1002	
BOLT,SPROCKET FITTING (Ref # 12)	92003-208	
CHAIN CAM (Ref # 13)	21070-004	
GUIDE,CAM CHAIN (Ref # 14)	12053-1001	
GUIDE,CHAIN,REAR (Ref # 15)	12053-1042	
SHAFT,CHAIN GUIDE (Ref # 16)	39115-1001	
PIN,DOWEL,3X25 (Ref # 17)	551A0325	
PIN,DOWEL,5X32 (Ref # 18)	551A0532	