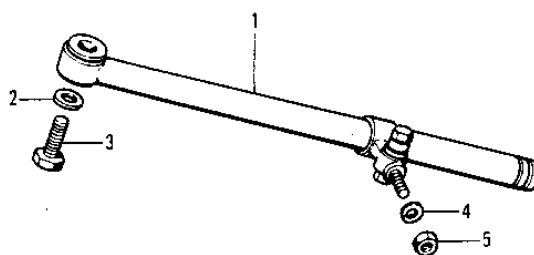
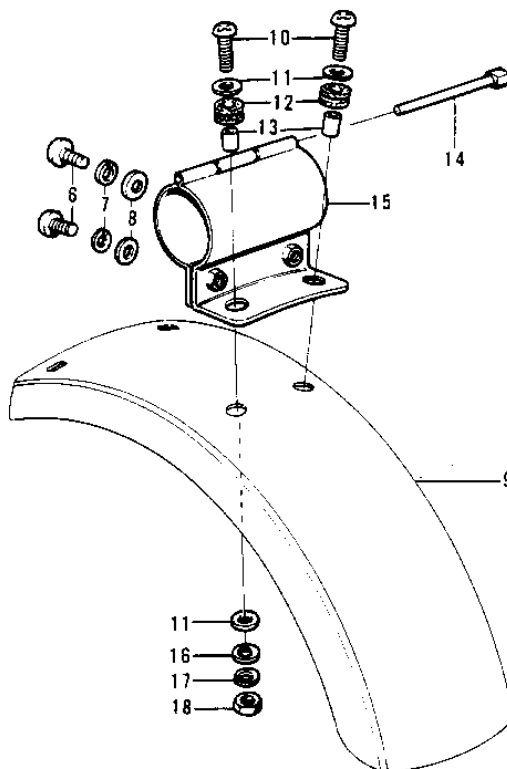


1976 KH400-A3 PARTS DIAGRAM

OPTIONAL PARTS



1976 KH400-A3 PARTS LIST

OPTIONAL PARTS

| ITEM NAME | PART NUMBER | QUANTITY |
|---------------------------------|-------------|----------|
| OIL DAMPER-STEERING (Ref # 1) | 46117-006 | 1 |
| WASHER PLAIN 8MM (Ref # 2) | 411B0800 | 1 |
| BOLT-SMALL-UPSET,8X30 (Ref # 3) | 115G0830 | 1 |
| WASHER SPRING 8MM (Ref # 4) | 461F0800 | 1 |
| NUT,8MM (Ref # 5) | 311B0800 | 1 |
| SCREW PAN HEAD 6X12 (Ref # 6) | 220E0612 | 1 |
| WASHER SPRING 6MM (Ref # 7) | 461F0600 | 2 |
| WASHER PLAIN 6MM (Ref # 8) | 411B0600 | 2 |
| FENDER-RR (Ref # 9) | 35022-102 | 1 |
| SCREW PAN HEAD 6X20 (Ref # 10) | 220E0620 | 1 |
| WASHER 6.5X20X1.6T (Ref # 11) | 92022-125 | 1 |
| DAMPER RUBBER (Ref # 12) | 92075-076 | 1 |
| COLLAR,6.8X10X8.5 (Ref # 13) | 92027-129 | 1 |
| PIN OIL TANK (Ref # 14) | 32111-003 | 1 |
| BRACKET,REAR FENDER (Ref # 15) | 35025-024 | 1 |
| NUT 6MM (Ref # 18) | 311B0600 | 1 |