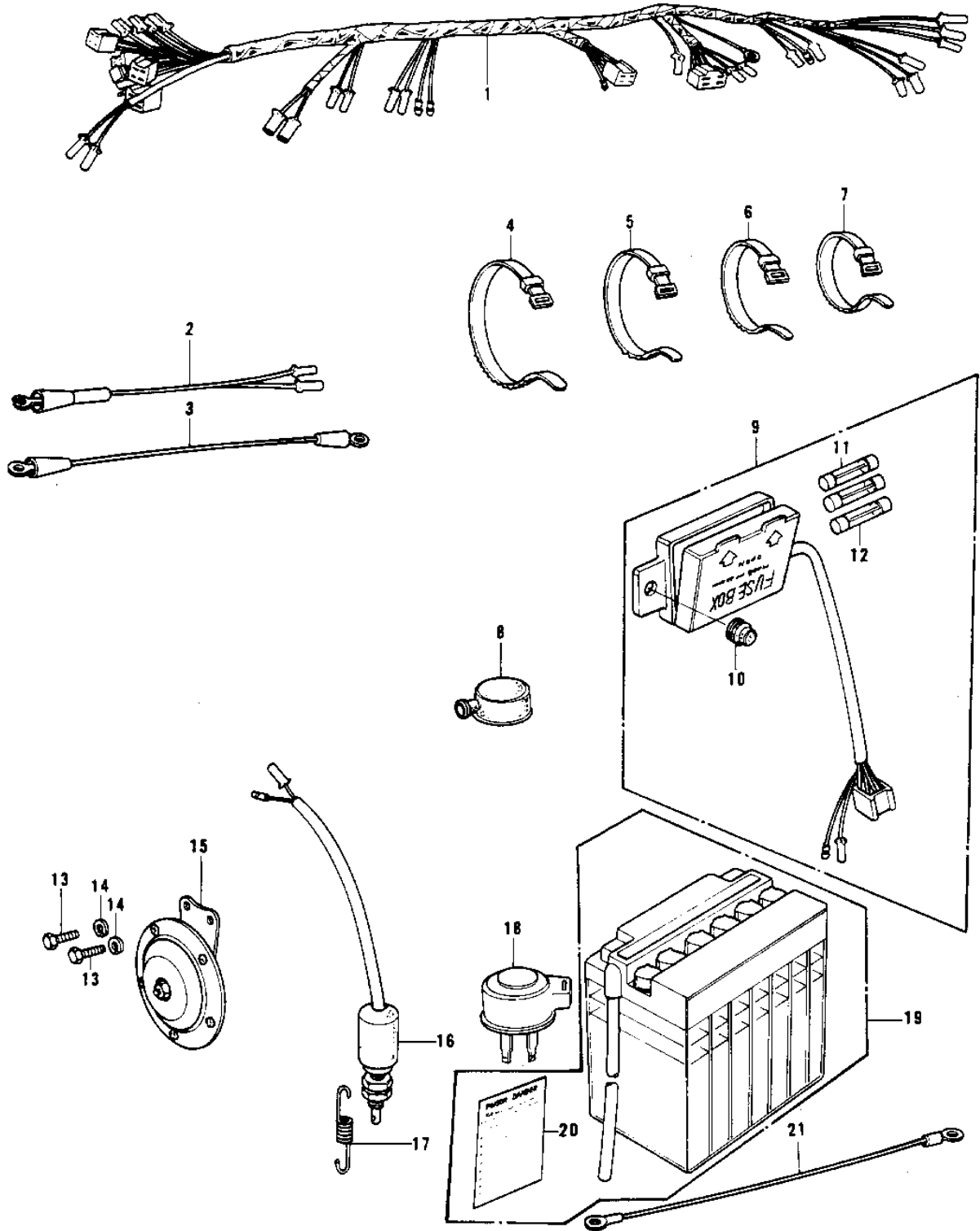


## 1977 KH400-A4 PARTS DIAGRAM CHASSIS ELECTRICAL EQUIPMENT



## 1977 KH400-A4 PARTS LIST

### CHASSIS ELECTRICAL EQUIPMENT

ITEM NAME	PART NUMBER	QUANTITY
WIRING HARNESS,MAIN (Ref # 1)	26001-132	1
WIRE,BATTERY LEAD (Ref # 2)	26010-033	1
WIRE BATTERY GROUND (Ref # 3)	26010-017	1
BAND,LONG (Ref # 4)	92072-032	1
BAND,WIRING HARNESS (Ref # 5)	92072-056	1
BAND,MIDDLE (Ref # 6)	92072-031	1
BAND,SHORT (Ref # 7)	92072-030	1
CAP BAT TERMINAL RUBB (Ref # 8)	92073-001	1
FUSE ASSY (Ref # 9)	26004-035	1
DAMPER RUBBER,FUSE (Ref # 10)	92075-279	1
FUSE-20A (Ref # 11)	26006-005	1
FUSE 10A (Ref # 12)	26006-003	1
BOLT-SMALL-UPSET,8X16 (Ref # 13)	115G0816	2
WASHER SPRING 8MM (Ref # 14)	461F0800	1
HORN (Ref # 15)	27003-066	1
SWITCH-BRAKE LAMP (Ref # 16)	27010-015	1
SPRING-BRAKE LAMP SW (Ref # 17)	27011-013	1
RELAY-TURN SIGNAL (Ref # 18)	27002-011	1
FB BAT 12N5.5-4A (Ref # 19)	26012-022	1
LABEL-WARNING,BATTERY (Ref # 20)	56040-1036	1
WIRE-LEAD (Ref # 21)	26011-084	1