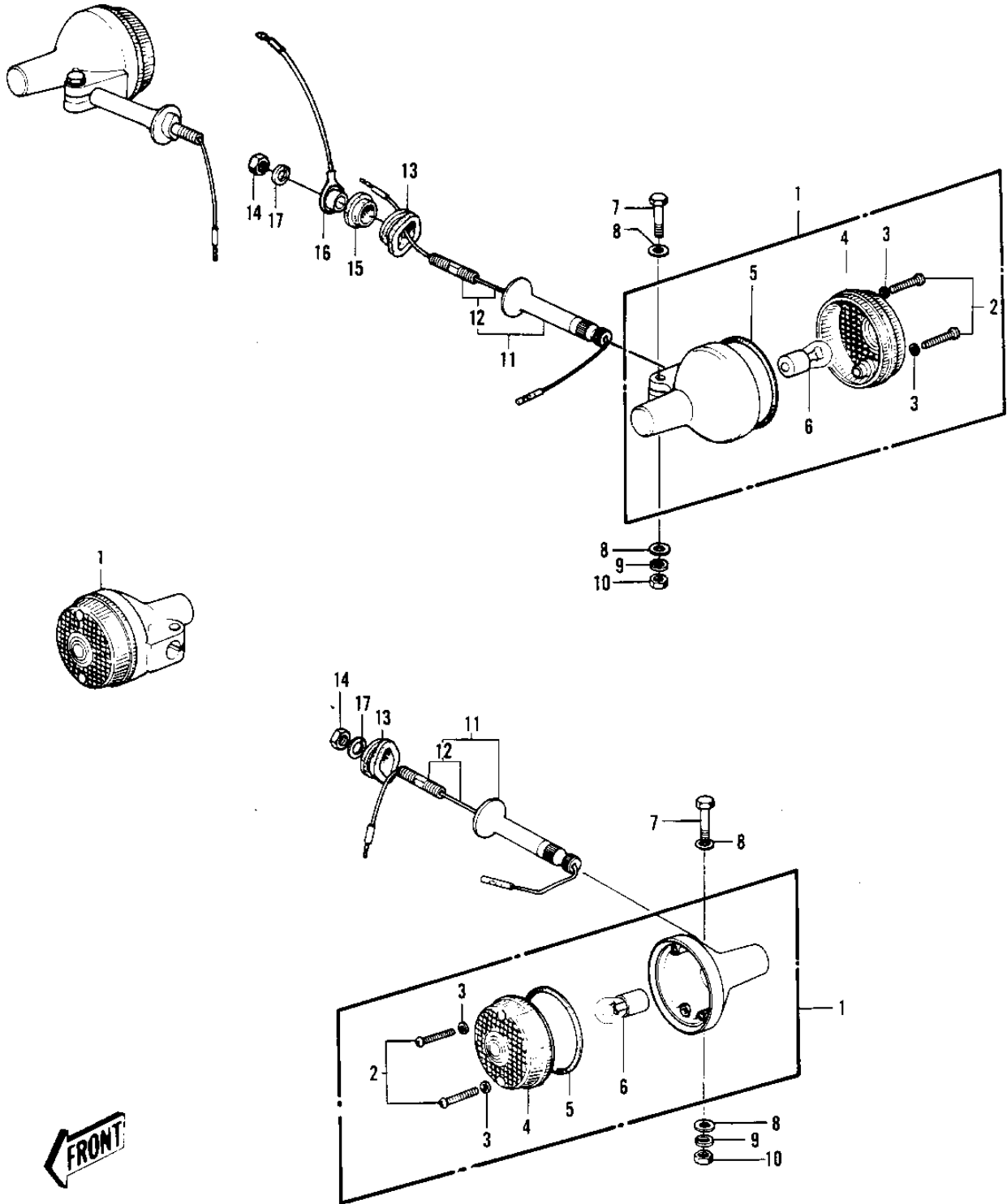


## 1976 KH400-A3 PARTS DIAGRAM

### TURN SIGNALS



## 1976 KH400-A3 PARTS LIST

### TURN SIGNALS

ITEM NAME	PART NUMBER	QUANTITY
LAMP ASSY-TURN SIGNAL (Ref # 1)	23040-037	1
LAMP,TURN SIGNAL (Ref # 1)	23040-054	1
LAMP,FRNT TURN SIGNAL (Ref # 1)	23040-1024	1
SCREW-PAN HEAD,4X20 (Ref # 2)	220E0420A	1
WASHER-PLAIN,4MM (Ref # 3)	23058-002	1
LENS,TURN SIGNAL LAMP (Ref # 4)	23048-1001	2
GASKET-SIG LAMP LENS (Ref # 5)	23050-003	1
BULB 12V 32CP (Ref # 6)	92069-055	1
BOLT-UPSET (Ref # 7)	112G0630	1
UNAVAILABLE IN PRICE BOOK (Ref # 8)	411D600	1
WASHER SPRING 6MM (Ref # 9)	461F0600	1
NUT 6MM (Ref # 10)	311B0600	2
KH400-A3/A4BRACKET-TURN SIG LAMP (Ref # 11)	23078-001	1
BRACKET,TURN SIGNAL.L (Ref # 11)	23051-053	1
BOLT SET-SIG LAMP BKT (Ref # 12)	23073-001	1
DAMPER RUBBER (Ref # 13)	92075-128	1
NUT 10MM (Ref # 14)	315B1000	1
DAMPER RUBBER,SIG LM (Ref # 15)	92075-158	1
COLLAR (Ref # 16)	23076-003	1
WASHER SPRING 10MM (Ref # 17)	461F1000	1